



SOLUTIONS FOR THE
**POST-COVID
WORKPLACE**

AUGUST 2020

INTRODUCTION

As economies reopen and businesses start to return to their workplaces, preparing for the new normal has many considerations. Physical distancing norms, health and safety concerns as well as productivity are top of priority.

We understand navigating through this can be complicated, thus with our POST-COVID WORKPLACE SOLUTIONS, we have tried our best to keep it simple, balancing both long and short term strategies as an integrated solution.

Get in touch with our experienced consultants to understand the solutions available. We are here to help you navigate through this transition.

bristol

OUR APPROACH

Our key design and user considerations in this collection:

Flexibility & Comfort

Simple solutions that are able to adapt to the organisations needs without sacrificing comfort and quality.

Privacy & Mobility

New social distancing norms require more enclosed personal space, but also the ability to give occupants control of their space, to interact and collaborate safely.

Safety & Hygiene

All materials assessed for cleanability, so that the materials used will not be affected by disinfection process.

Cost & Customisation

Simple, easy to install solutions with big impact while balancing the need for cost efficiency during these times.

bristol

PRODUCT OVERVIEW

ZONES Mobile Panels

Create private spaces seamlessly with mobile divider panels to create multi-functional spaces.

DECIBEL 43 Mobile Pods

Acoustic personal mobile pods to create micro work spaces.

RADIAL Privacy Panels

A simple vertical panels with rounded edges and different finishes to suit multiple applications.

SHIELD Polycarbonate Panels

Polycarbonate vertical separators that define boundaries for separation, provides enclosure and shields adjacent occupants.

BRAVA Media Bench

Height-adjustable media integrated divider with soft plush finishing.

bristol

ZONES

MOBILE PANELS



A | Zones Alpha : ZF-1600-A
B | Zones Hybrid : ZH-1800-A
C | Zones Media : ZM-2000-A

bristol

ZONES MEDIA

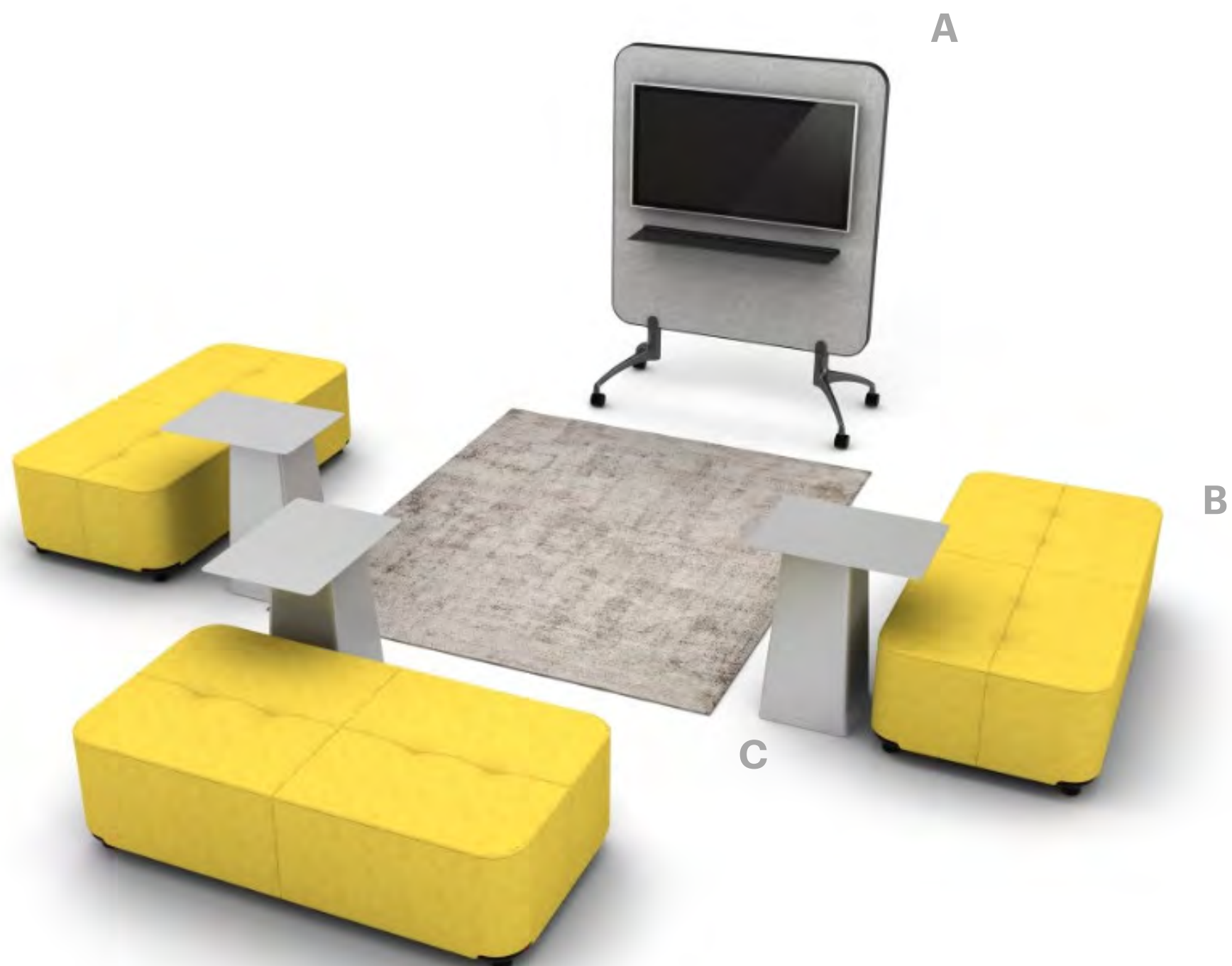
Meeting Spaces Application



A | Zones Media : ZM-1600-S

B | Decibel Seatpod : SPW-3-0

C | Mixo Coffee Table : 1M2-050005000400-WS-WS-00B



A | Zones Media : ZM-1600-A

B | Modu Long Sofa :

C | Mixo Offset Table :

ZONES MEDIA

Meeting Spaces Application



- A | Zones Media : ZM-2000-S
- B | Bira High Table : Coming Soon
- C | Bira Stool : 4-M702-B023-0000-B02H



- A | Zones Media : ZM-1600-A
- B | Bira Low Table : Coming Soon
- C | Myko Chair : 4-M8PL-M013-M043-M392-A

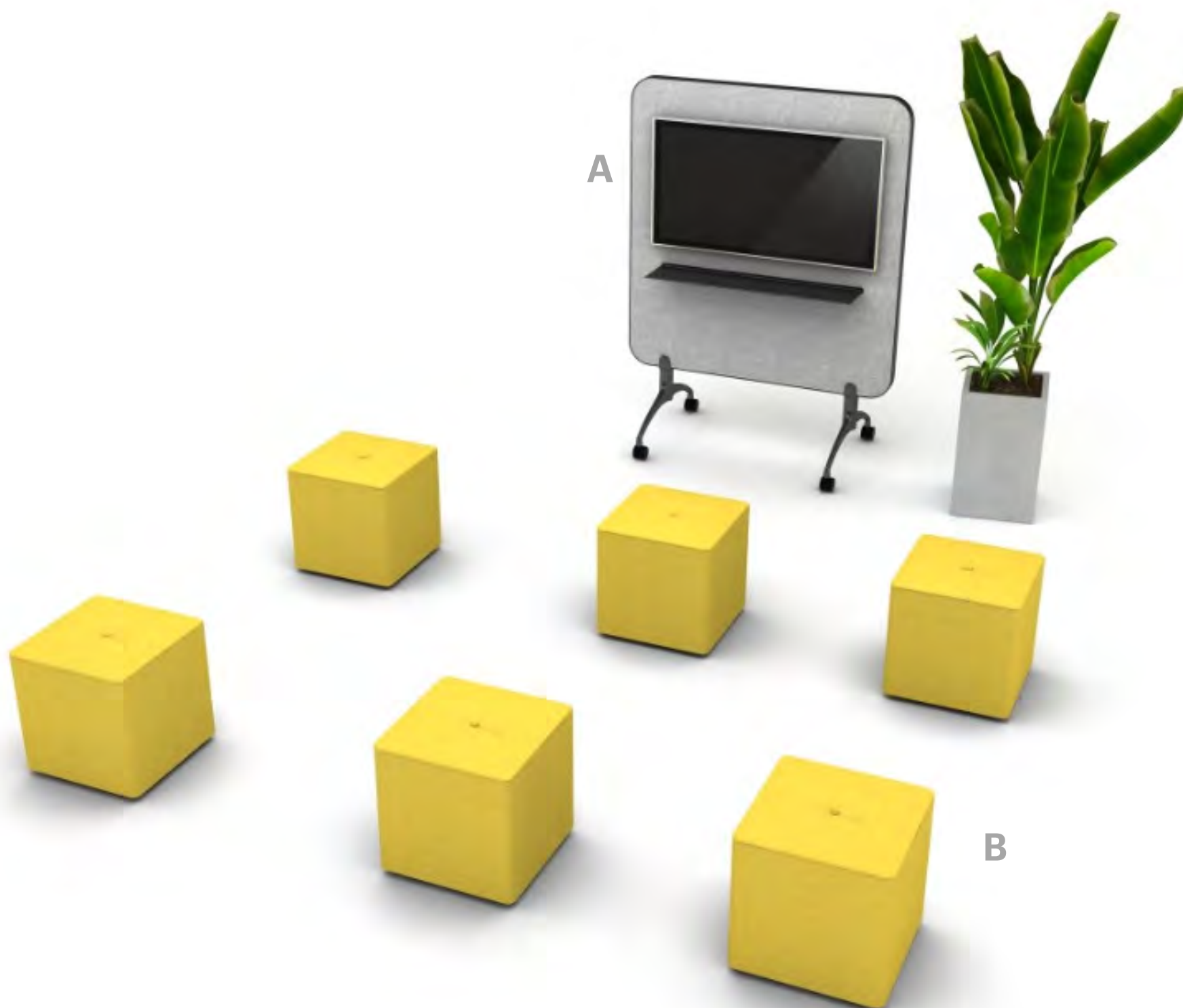
ZONES MEDIA

Open Training Area Application



A | Zones Media : ZM-1600-A

B | Wobi : 4-M202-0000-0000-0000-A



A | Zones Media : ZM-1600-S

B | Modu Mini Button : 4-M301-0000-0000-0000-A

ZONES MEDIA



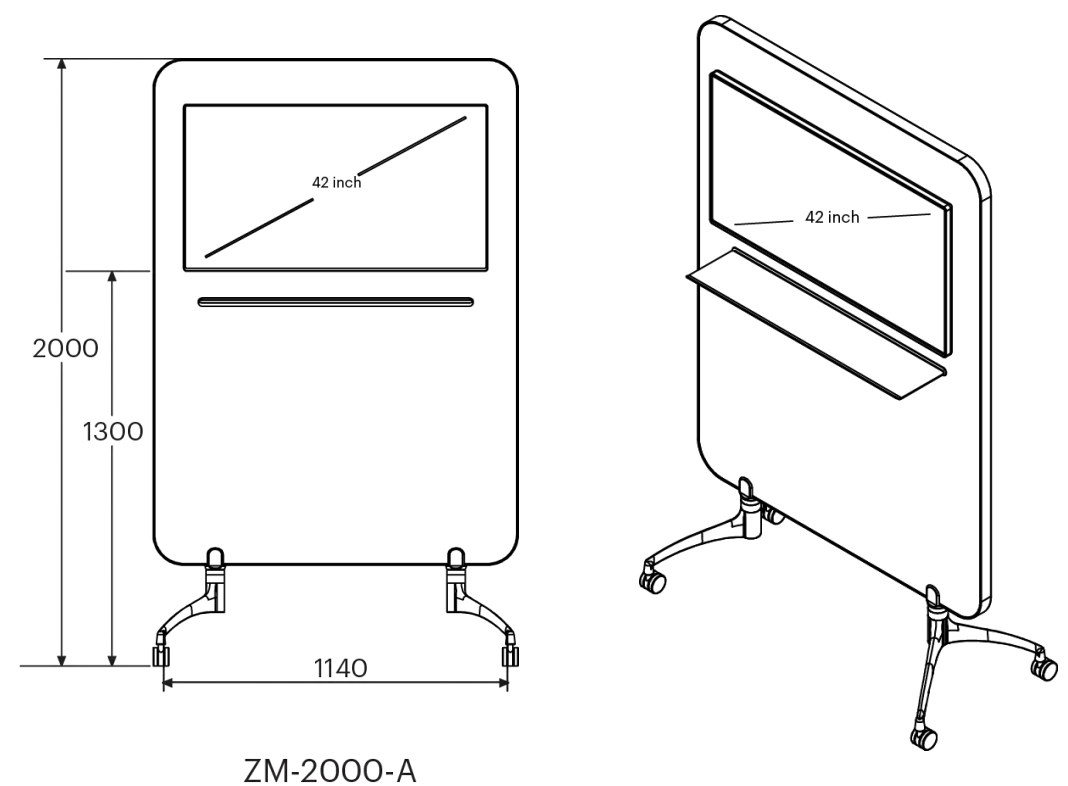
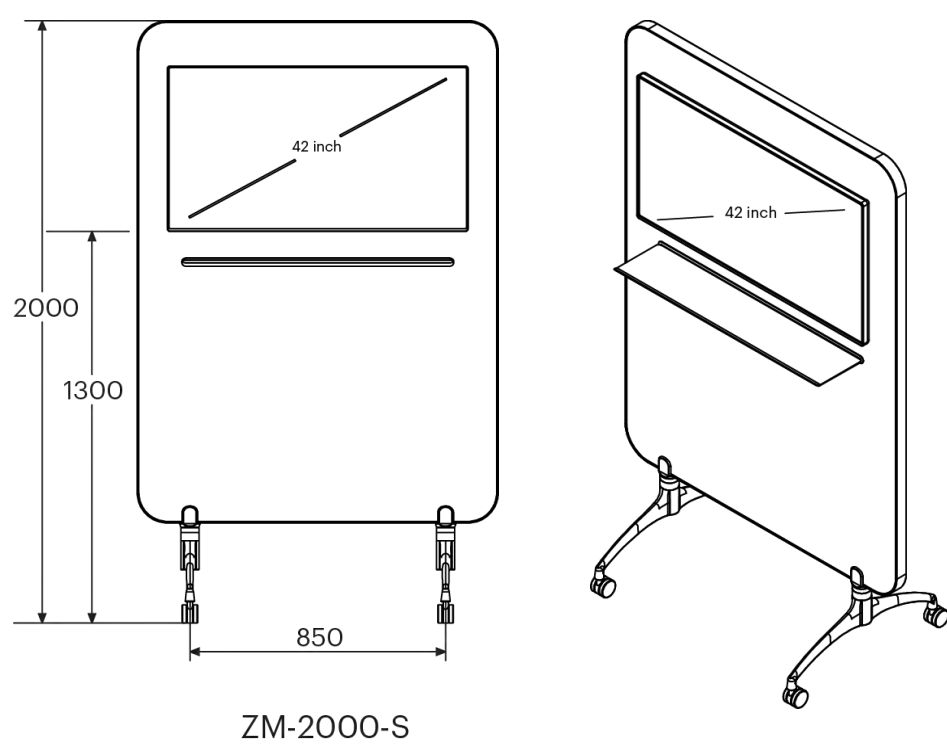
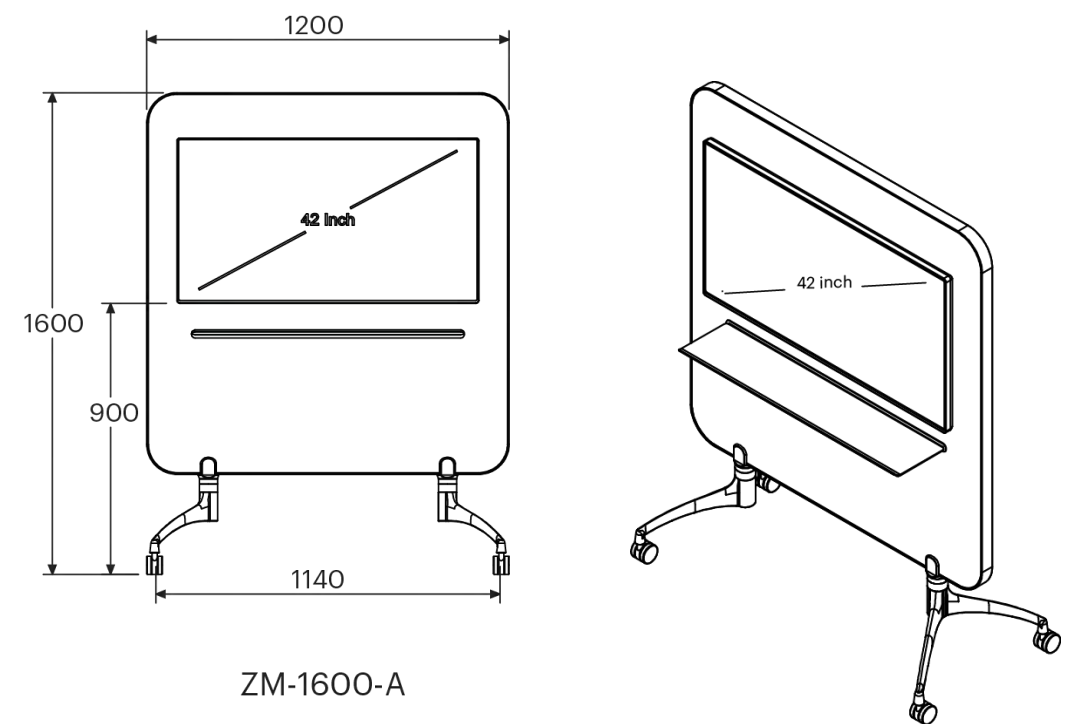
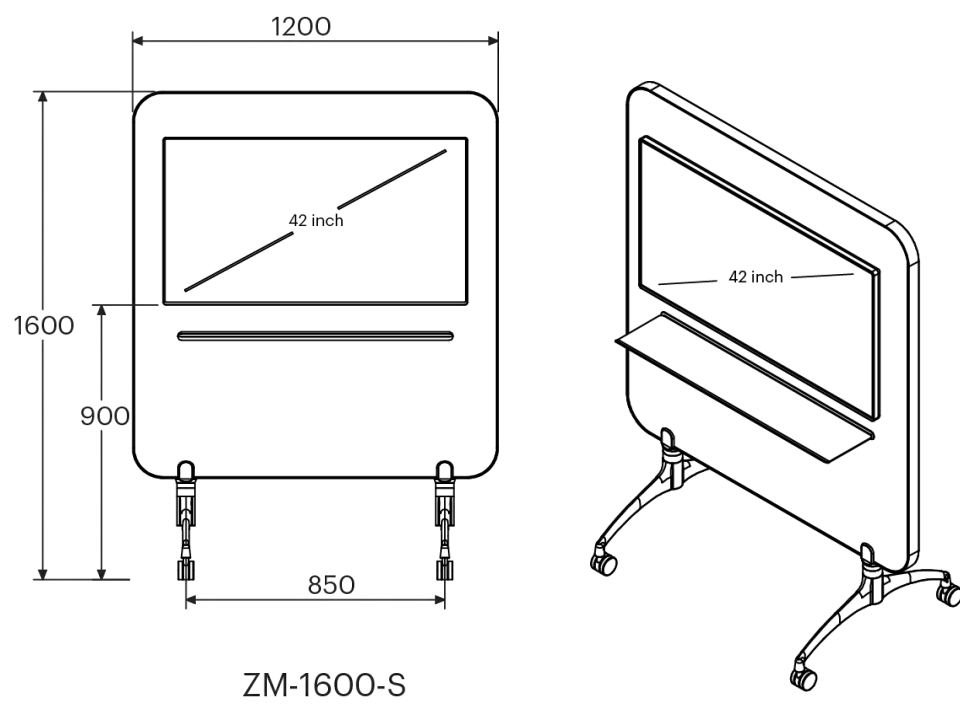
Straight Leg



A | ZONES MEDIA : ZM-1600-A
B | ZONES MEDIA : ZM-2000-A

ZM-1600-S
ZM-2000-S

Statement of Line



ZONES HYBRID



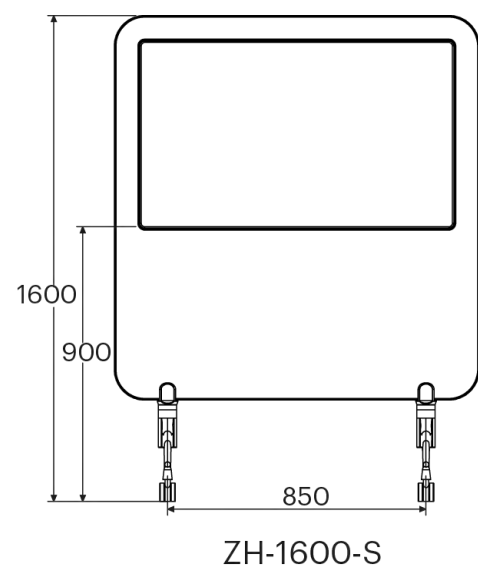
A | ZONES HYBRID : ZH-1600-A
 B | ZONES HYBRID : ZH-1800-A
 C | ZONES HYBRID : ZH-2000-A

Straight Leg

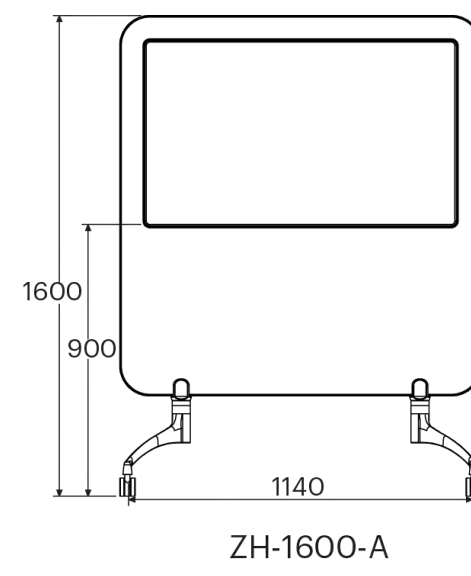
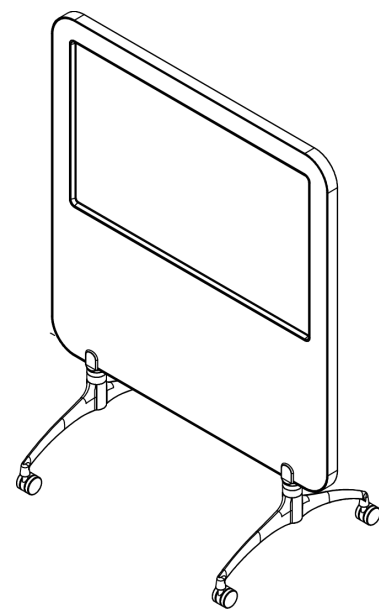


ZH-1600-S
 ZH-1800-S
 ZH-2000-S

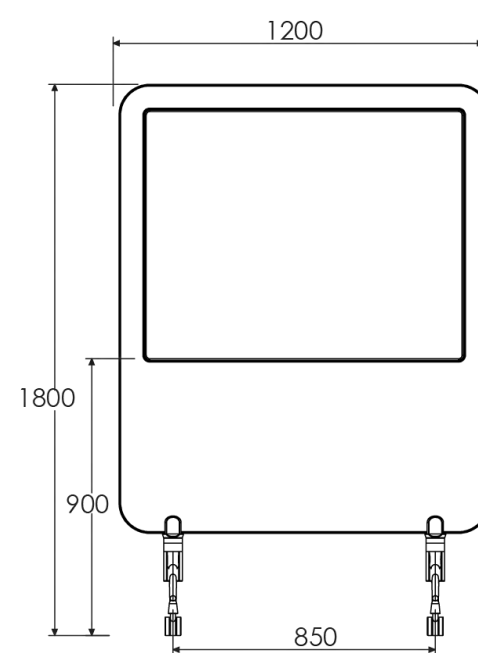
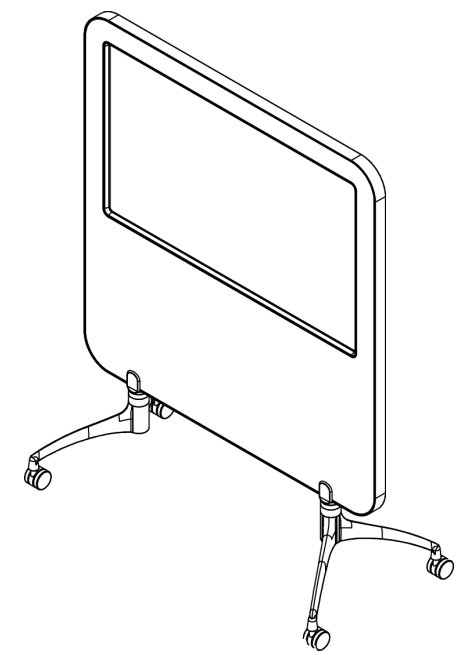
Statement of Line



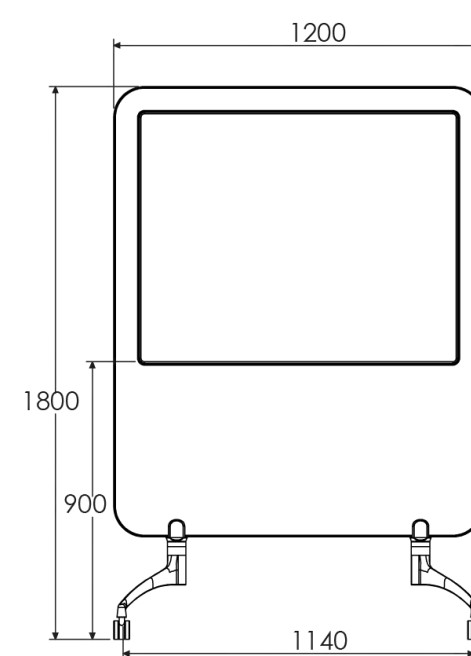
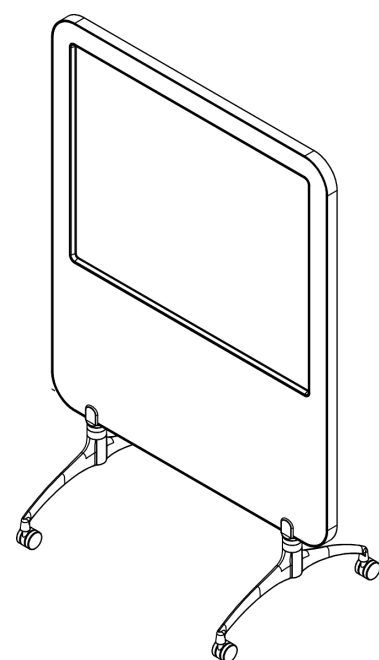
ZH-1600-S



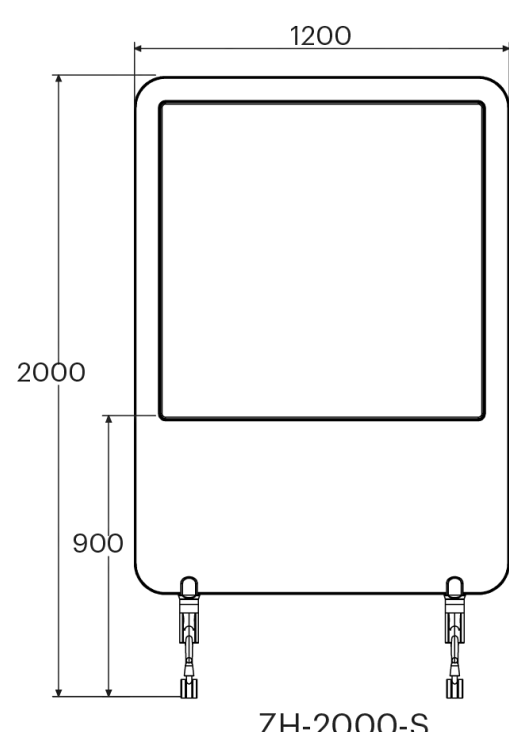
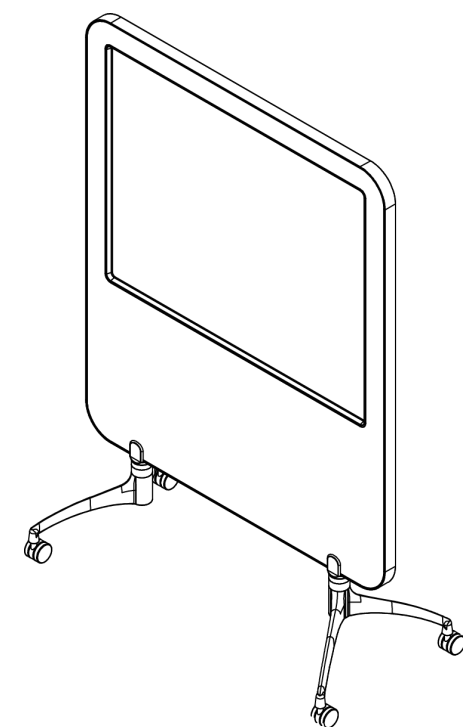
ZH-1600-A



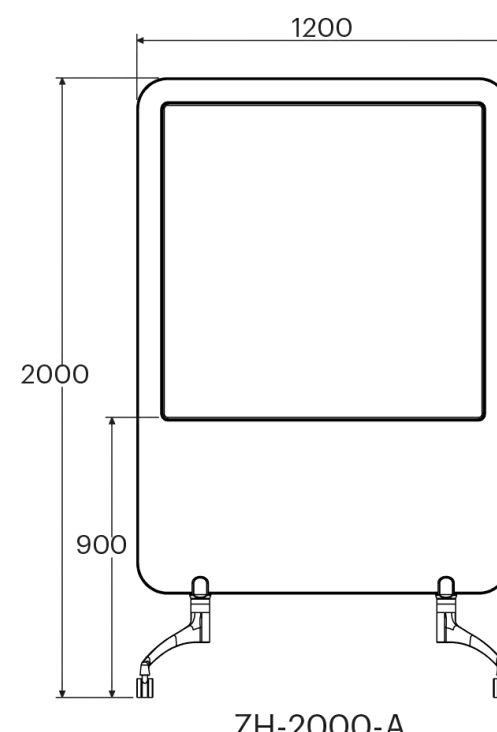
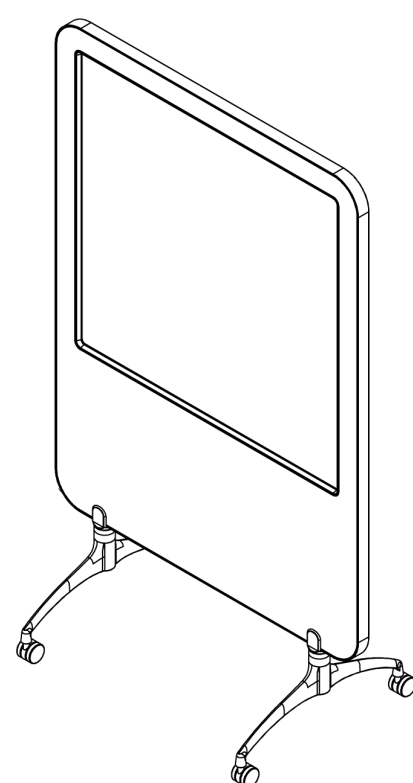
ZH-1800-S



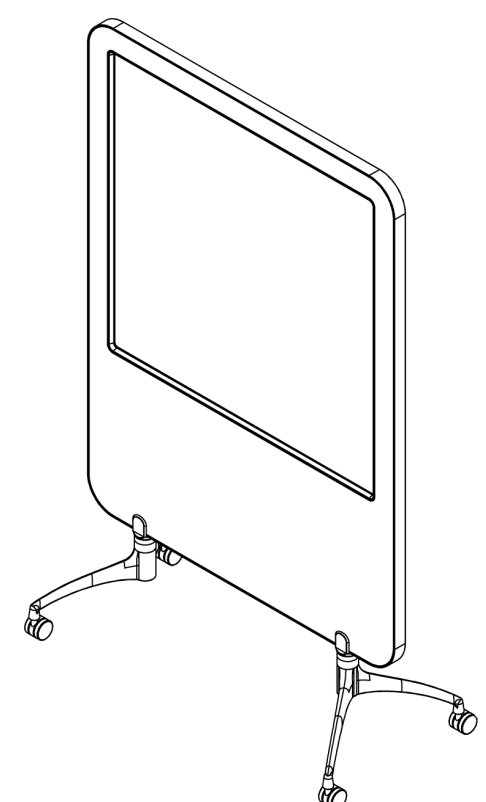
ZH-1800-A



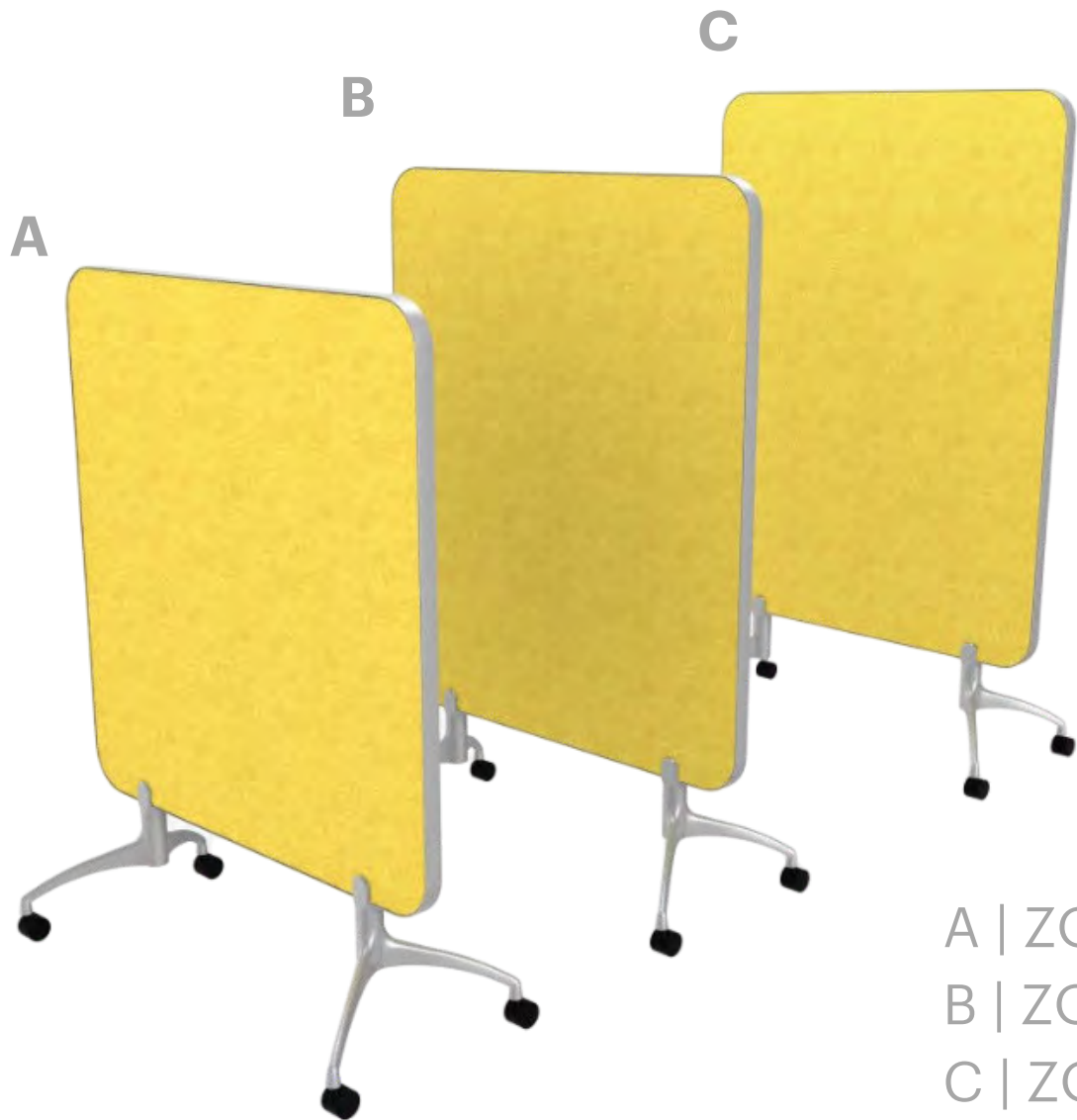
ZH-2000-S



ZH-2000-A



ZONES ALPHA



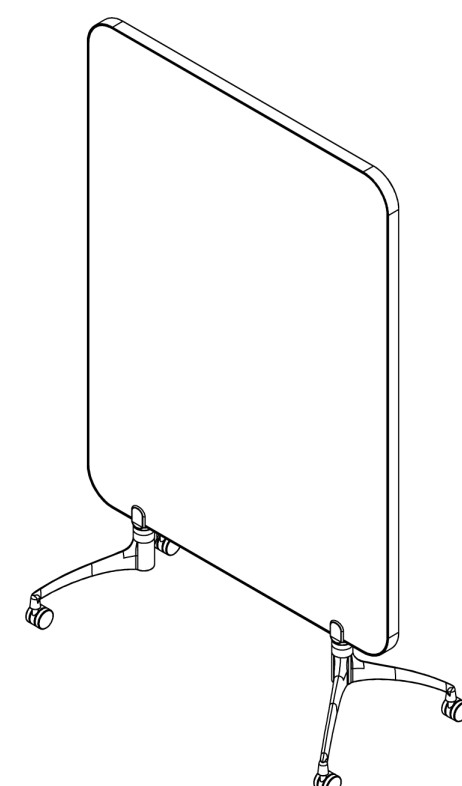
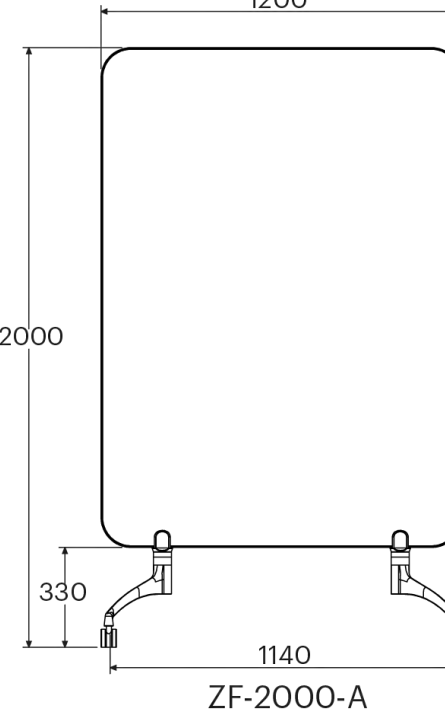
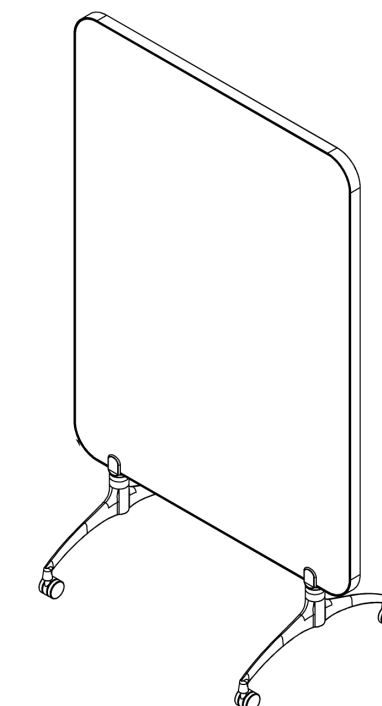
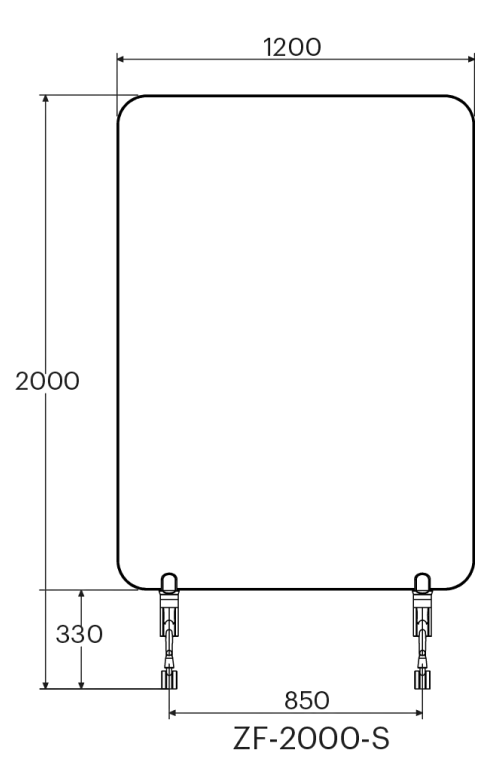
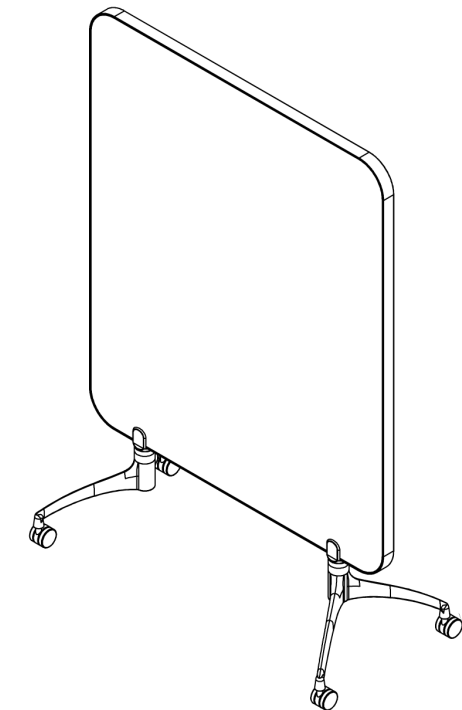
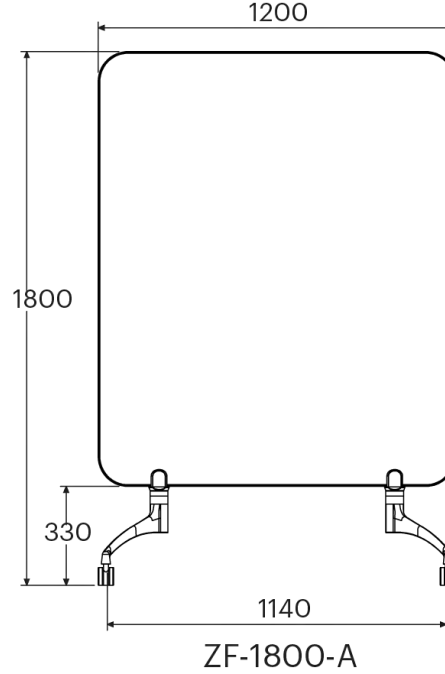
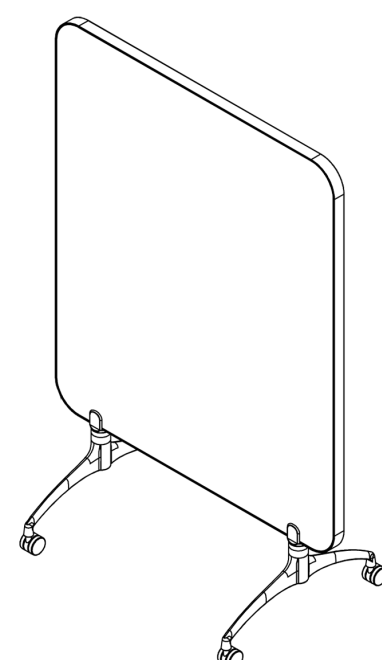
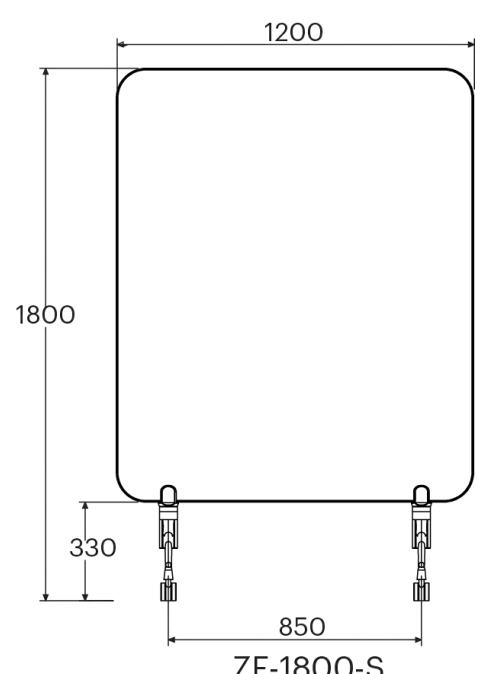
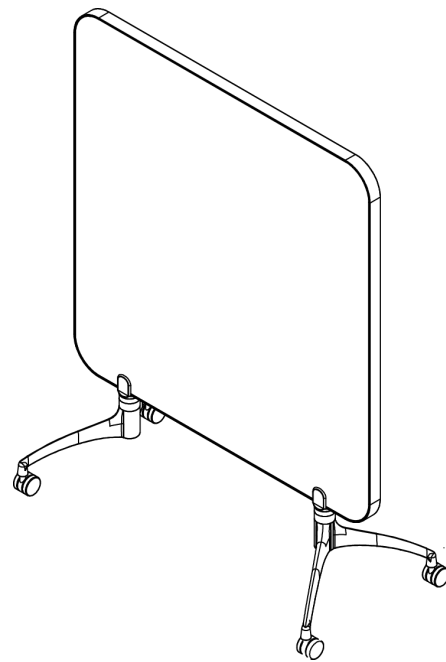
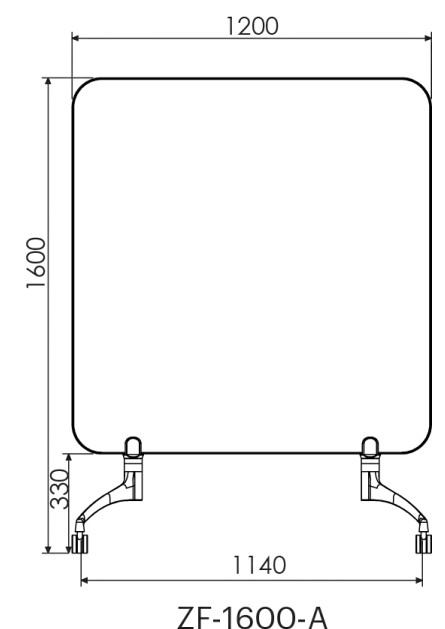
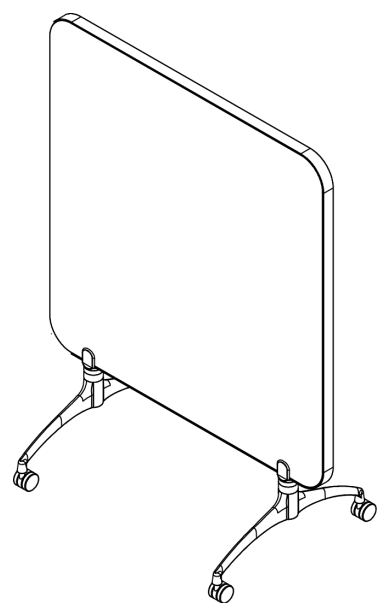
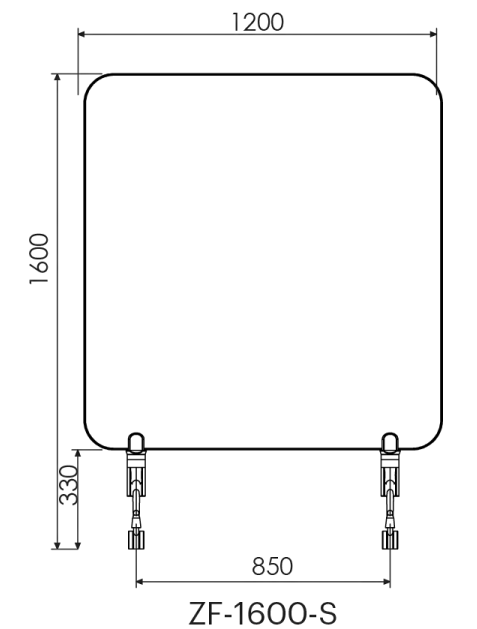
A | ZONES ALPHA : ZF-1600-A
 B | ZONES ALPHA : ZF-1800-A
 C | ZONES ALPHA : ZF-2000-A

Straight Leg



ZF-1600-S
 ZF-1800-S
 ZF-2000-S

Statement of Line



ZONES SIMPLA

Application



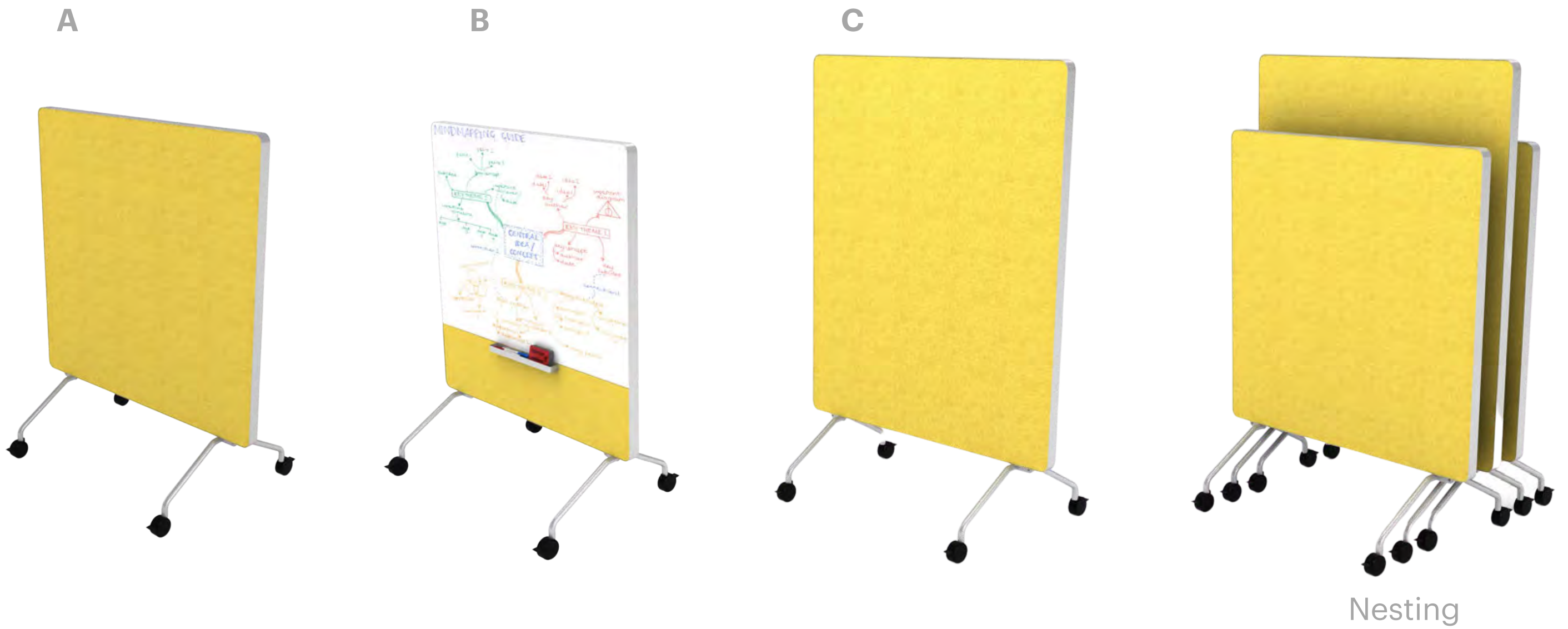
A | ZONES SIMPLA : ZS-1500-WB-AP

B | ZONES SIMPLA : ZS-1500-WB-WB

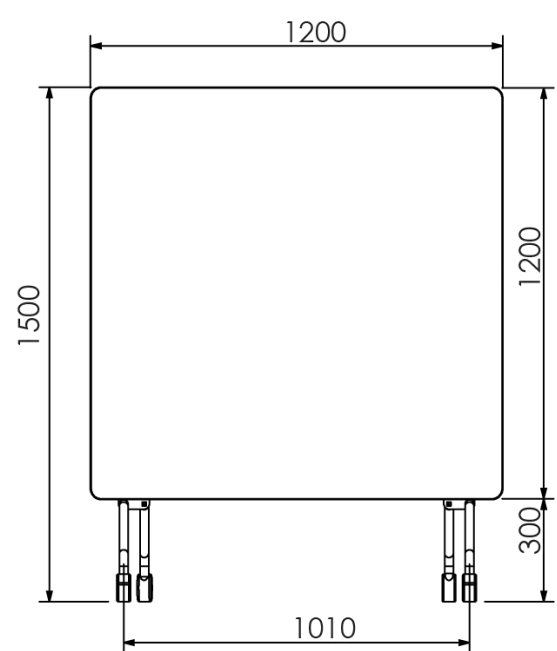
C | ZONES SIMPLA : ZS-1500-AP-AP

D | ZONES SIMPLA : ZS-1500-NA-NA

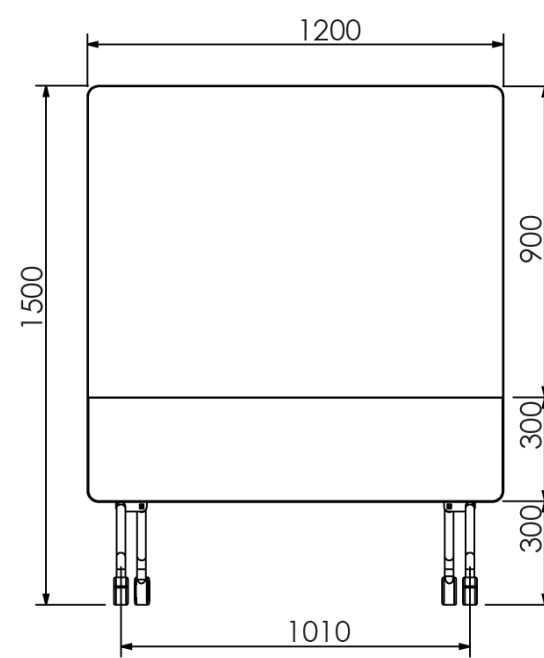
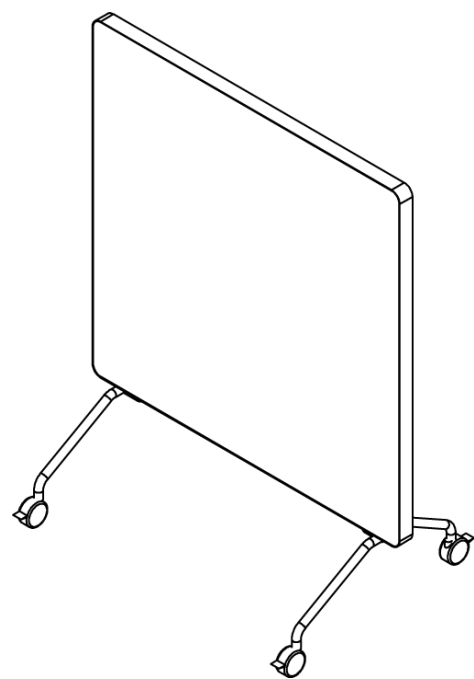
ZONES SIMPLA



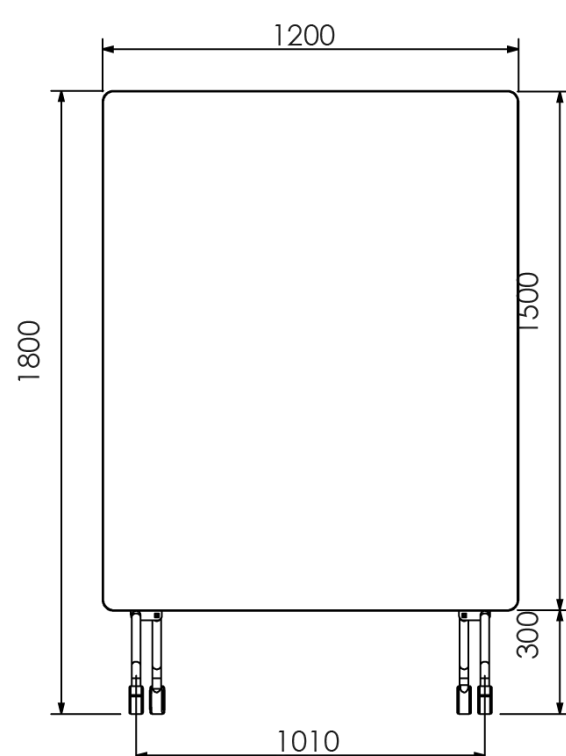
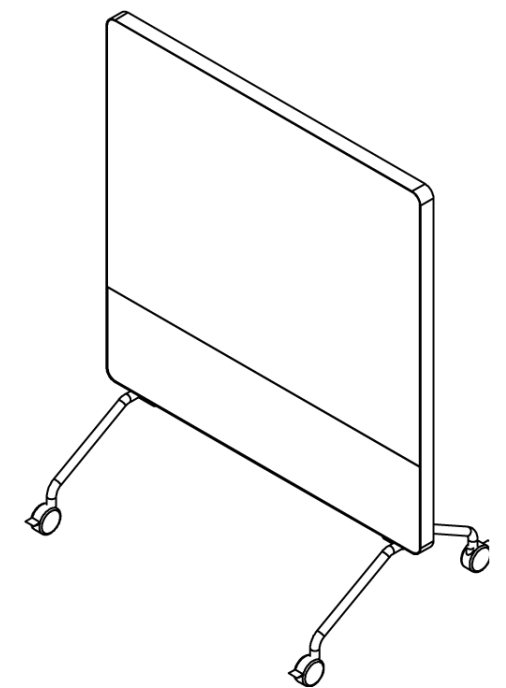
Statement of Line



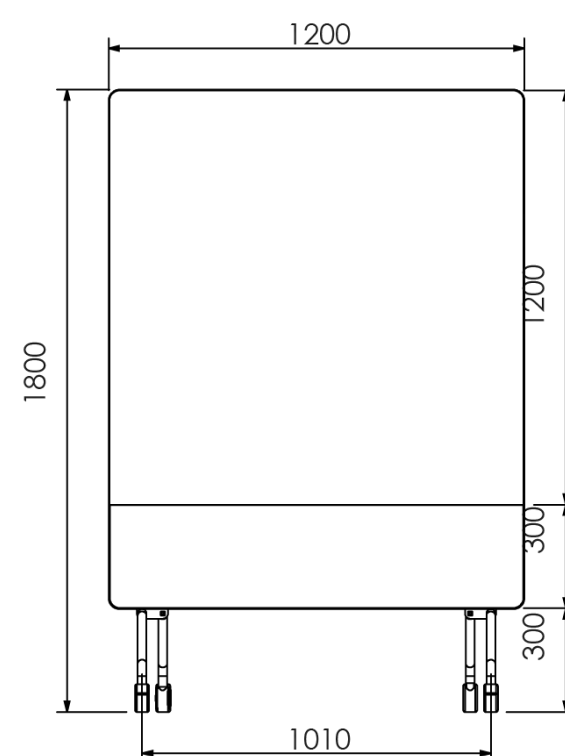
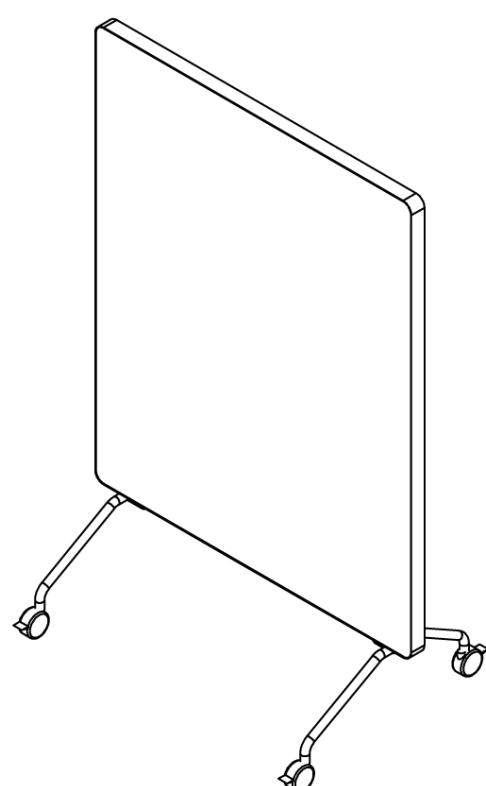
ZS-1500-NA-NA
 ZS-1500-AP-AP



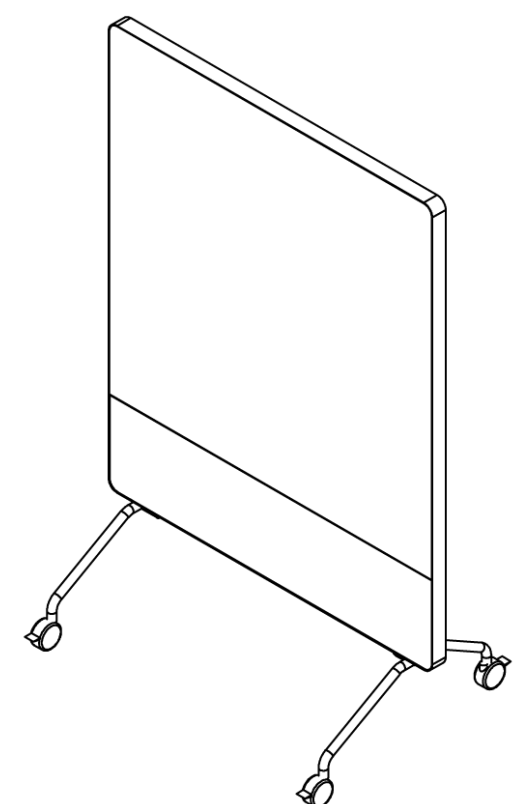
ZS-1500-WB-NA
 ZS-1500-WB-AP
 ZS-1500-WB-WB



ZS-1800-NA-NA
 ZS-1800-AP-AP



ZS-1800-WB-NA
 ZS-1800-WB-AP
 ZS-1800-WB-WB



DECIBEL 43

MOBILE PODS



bristol

*Decibel 43 Pods are available with option of non-acoustic version panel upon request

DECIBEL 43 SEATPOD MOBILE

Application



A | DECIBEL 43 WORKPOD MOBILE : SPS-1-M



DECIBEL 43 WORKPOD MOBILE

Application



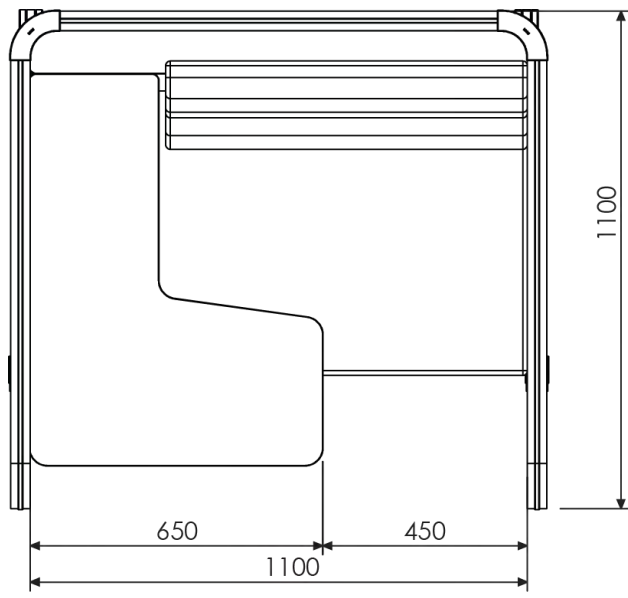
A | DECIBEL 43 WORKPOD MOBILE : WPC-1-M
B | SOUL CHAIR : 4-S1MM-S144-S114-T013-M



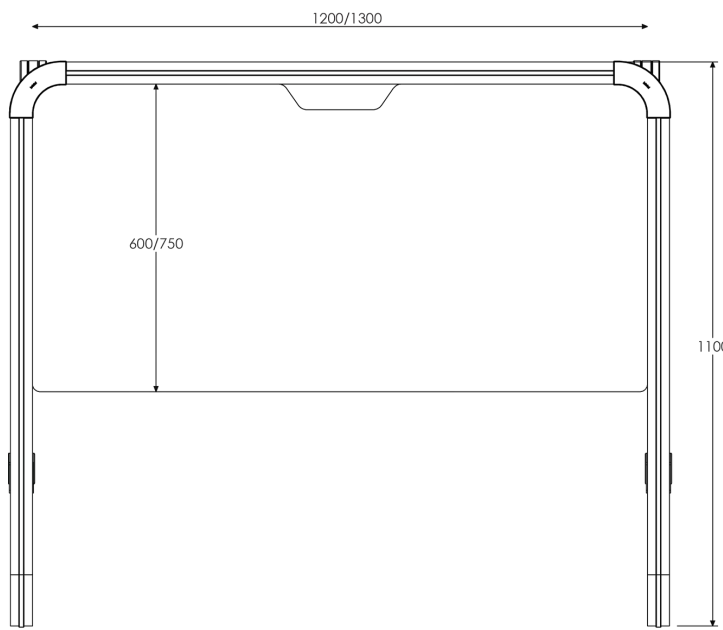
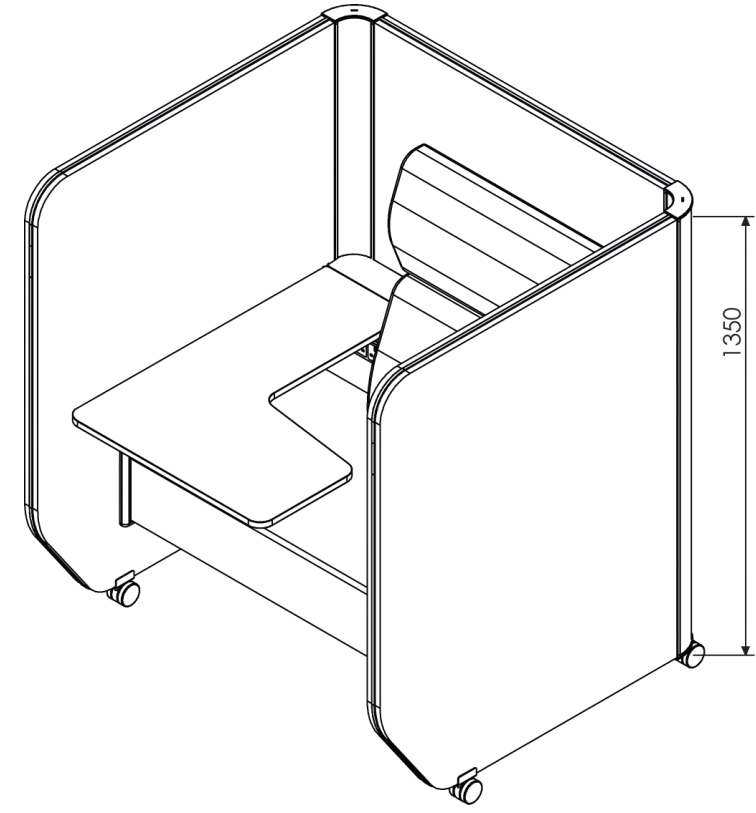
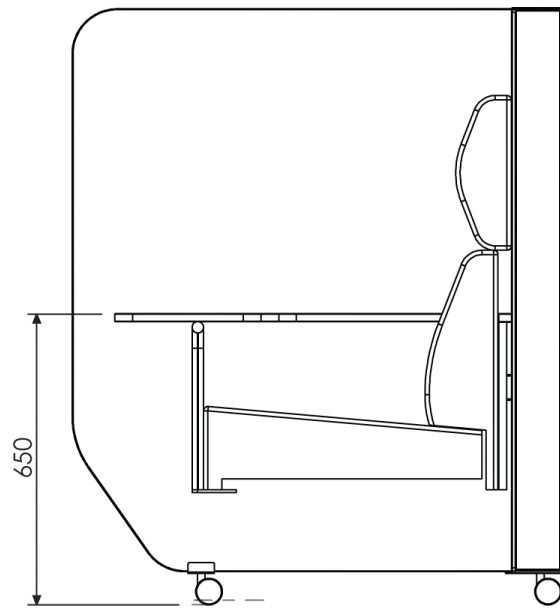
A | DECIBEL 43 WORKPOD MOBILE : WPC-1-M
B | SOUL CHAIR : 4-S1MM-S144-S114-T013-M
C | ZONE SIMPLA : ZS-1500-WB-WB

DECIBEL 43 MOBILE PODS

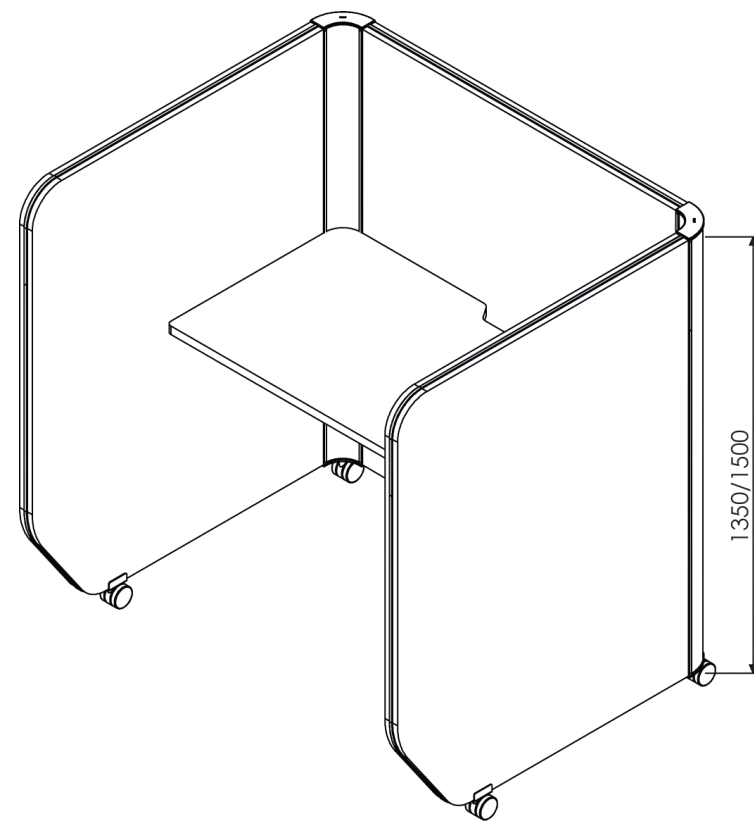
Statement of Line



SPS-1-M

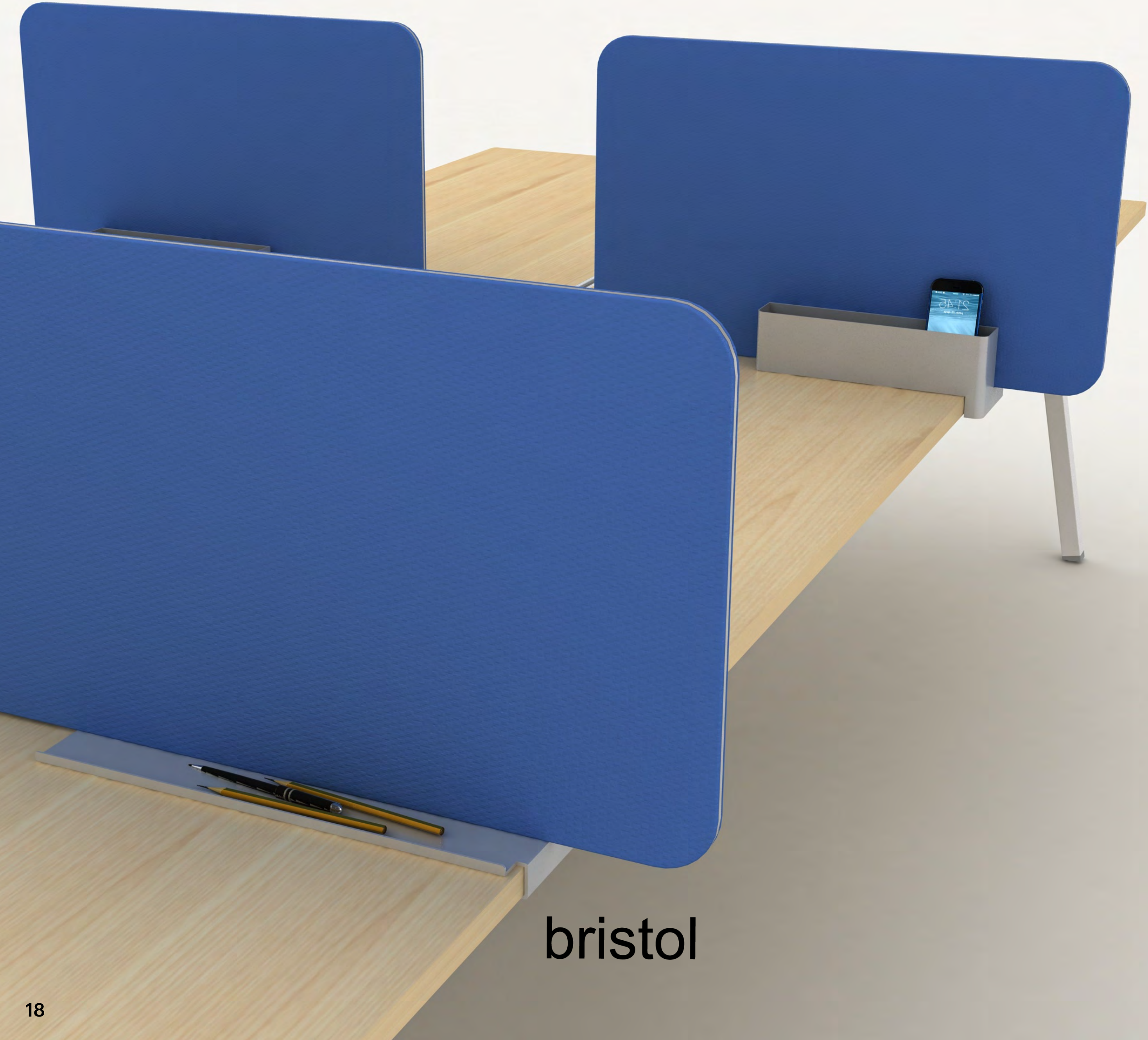


WPC-1-M



RADIAL

PRIVACY PANELS



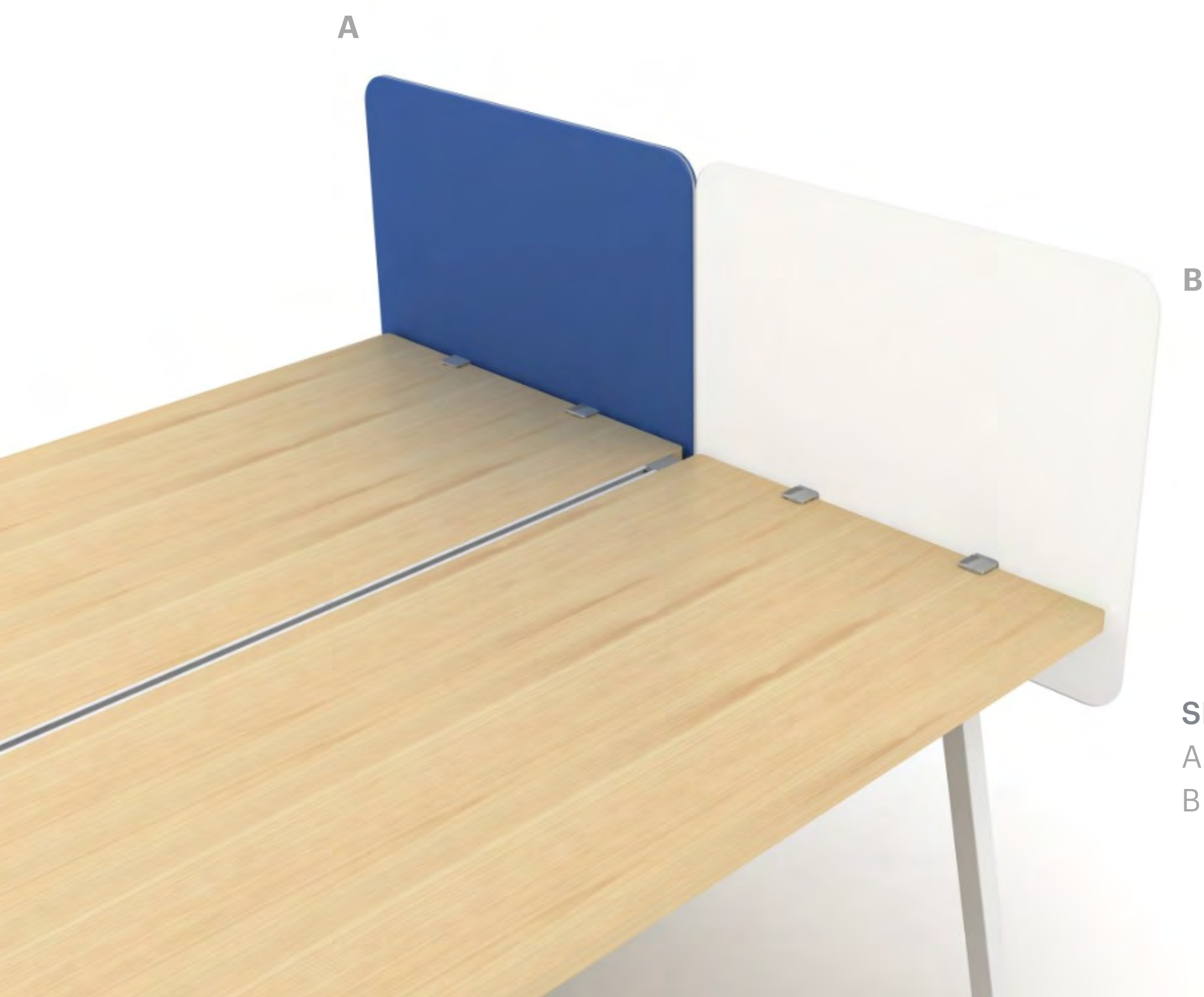
bristol

RADIAL FLEX



SIDE CLAMP-ON BEAM

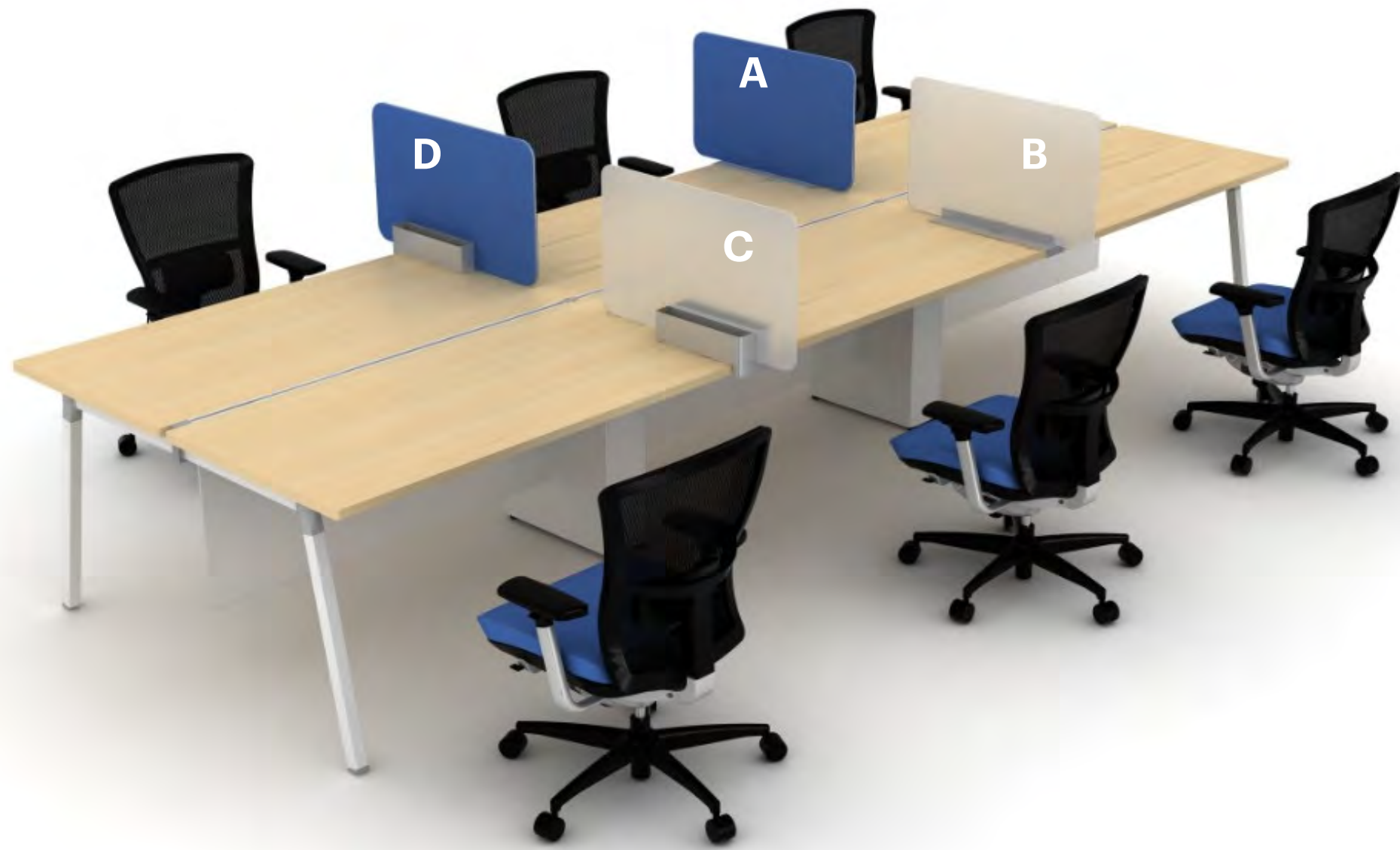
- A | RADIAL FLEX : RSM-W (FABRIC)
- B | RADIAL FLEX : RSM-A (ACRYLIC)



SIDE CLAMP-ON TABLETOP

- A | RADIAL FLEX : RWM-W (FABRIC)
- B | RADIAL FLEX : RWM-A (ACRYLIC)

RADIAL FLEX



INTERMEDIATE

- A | RADIAL FLEX : RI-W (FABRIC)
- B | RADIAL FLEX : RI-A (ACRYLIC)
- C | RADIAL FLEX : RIS-A (ACRYLIC)
- D | RADIAL FLEX : RIS-W (FABRIC)

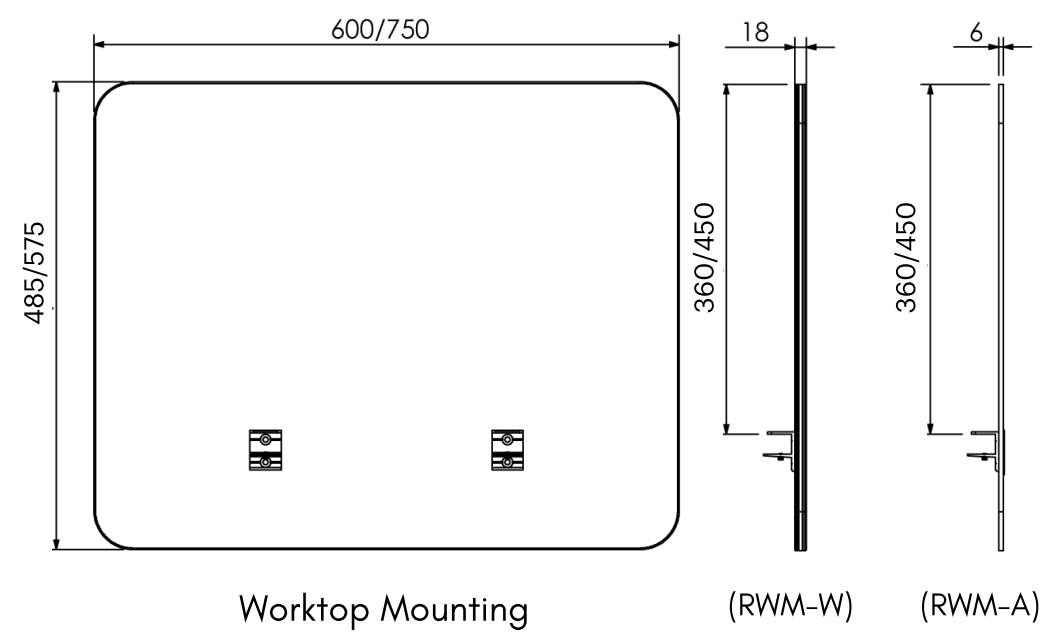


CUSTOM

- A | RADIAL FLEX : RI-W/C (FABRIC)
- B | RADIAL FLEX : RI-A/C (ACRYLIC)
- C | RADIAL FLEX : RIS-A/C (ACRYLIC)
- D | RADIAL FLEX : RIS-W/C (FABRIC)
- E | RADIAL FLEX : RWM-W/C (FABRIC)
- F | RADIAL FLEX : RWM-A/C (ACRYLIC)
- G | RADIAL FLEX : RSM-W/C (FABRIC)
- H | RADIAL FLEX : RSM-A/C (ACRYLIC)

RADIAL FLEX

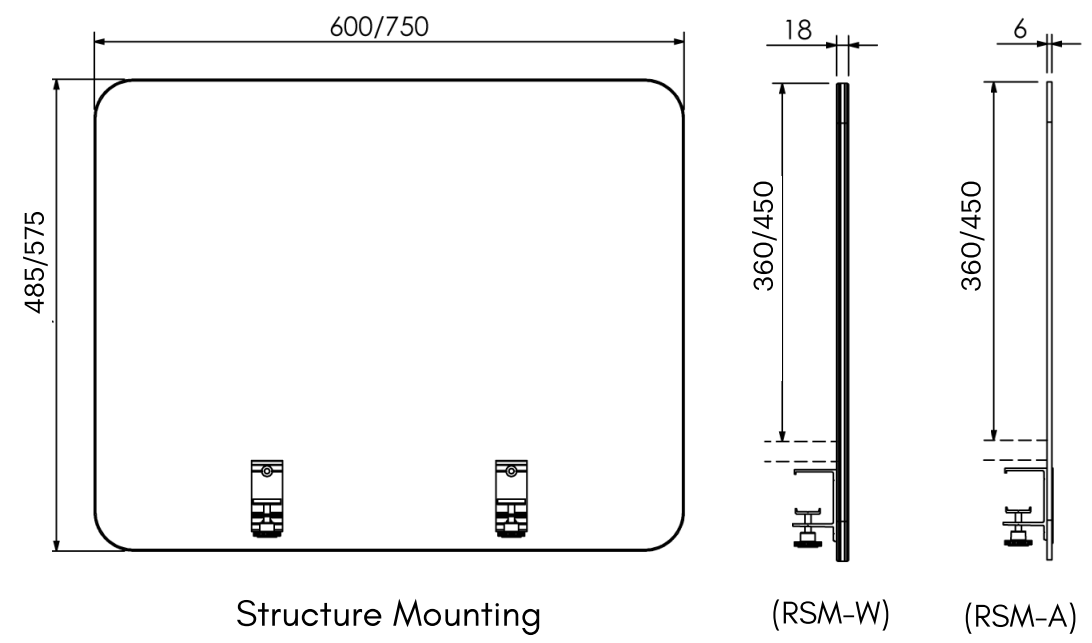
Statement of Line



Worktop Mounting

(RWM-W)

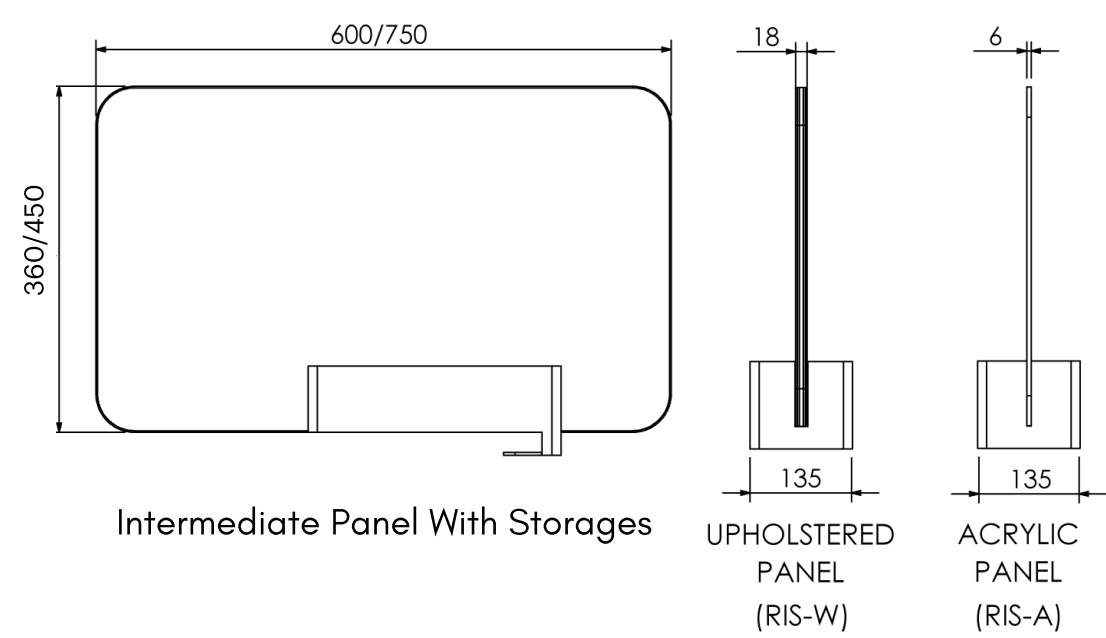
(RWM-A)



Structure Mounting

(RSM-W)

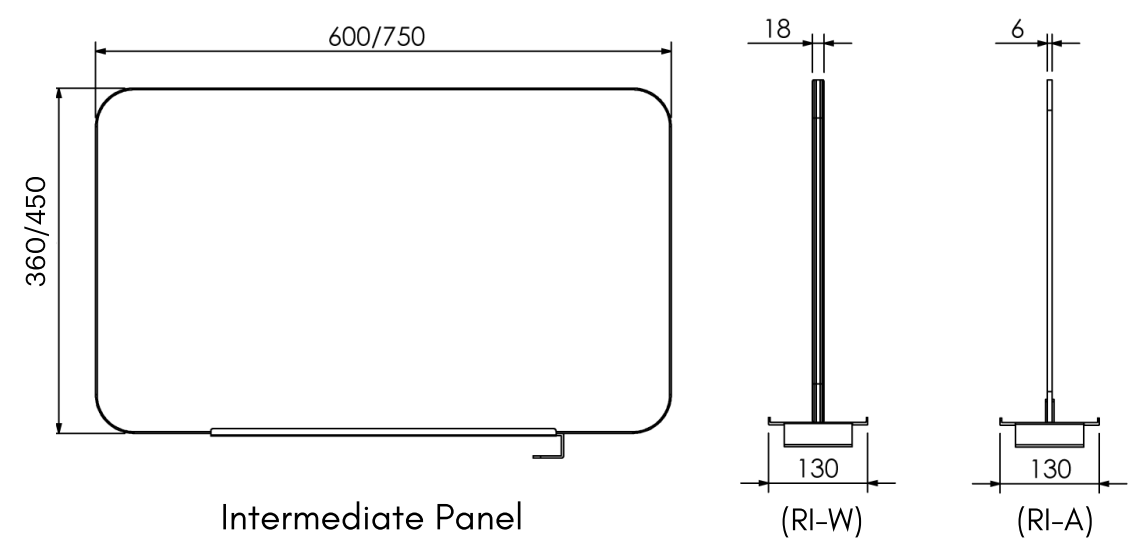
(RSM-A)



Intermediate Panel With Storages

UPHOLSTERED
PANEL
(RIS-W)

ACRYLIC
PANEL
(RIS-A)



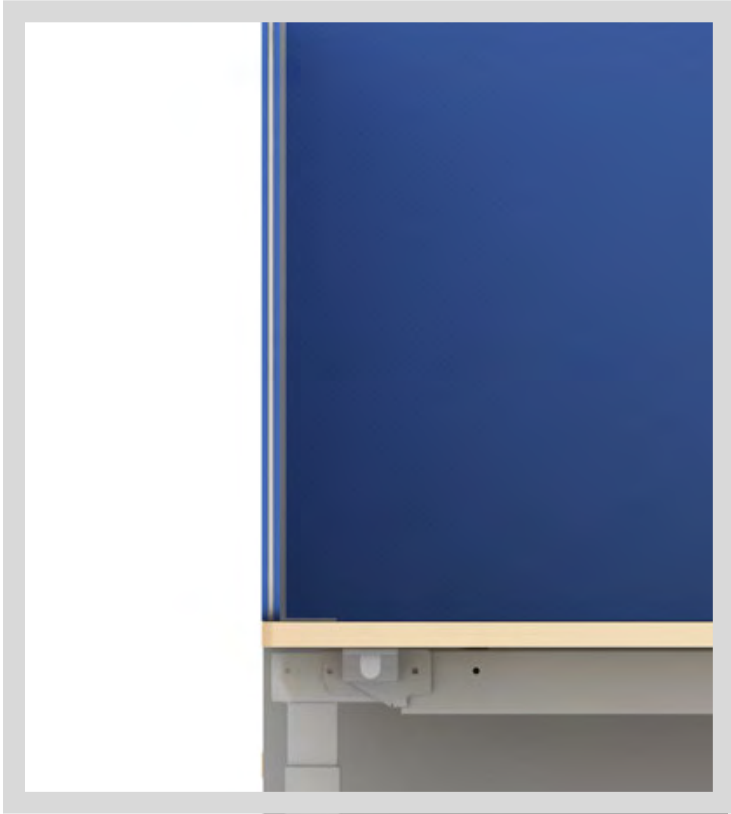
Intermediate Panel

(RI-W)

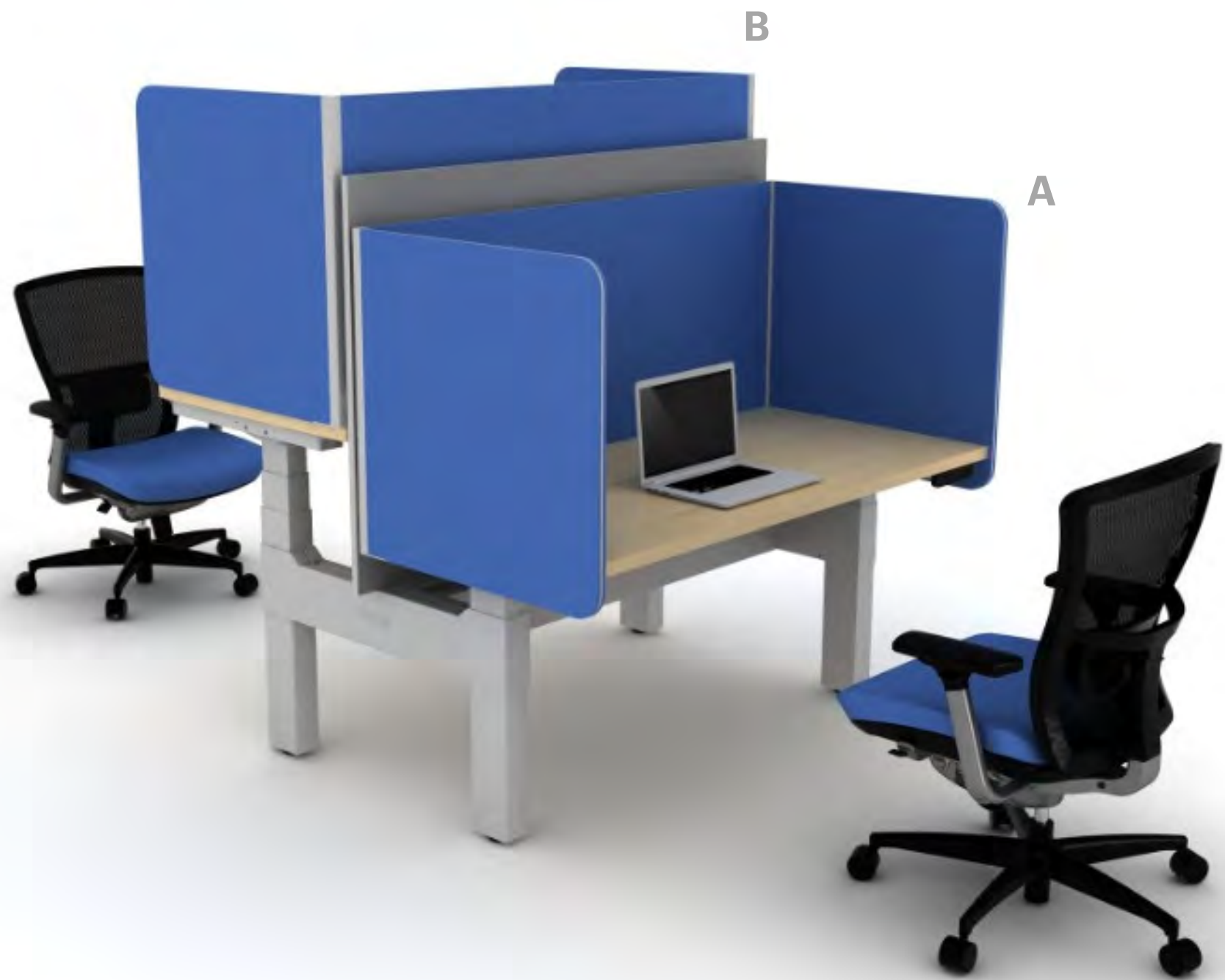
(RI-A)

RADIAL FIXED

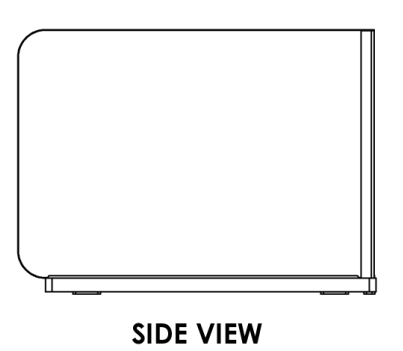
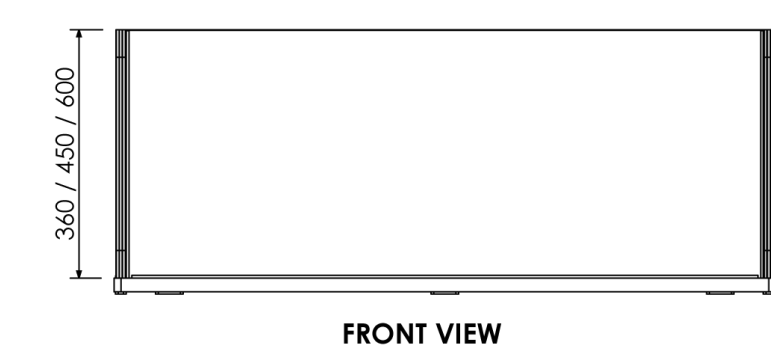
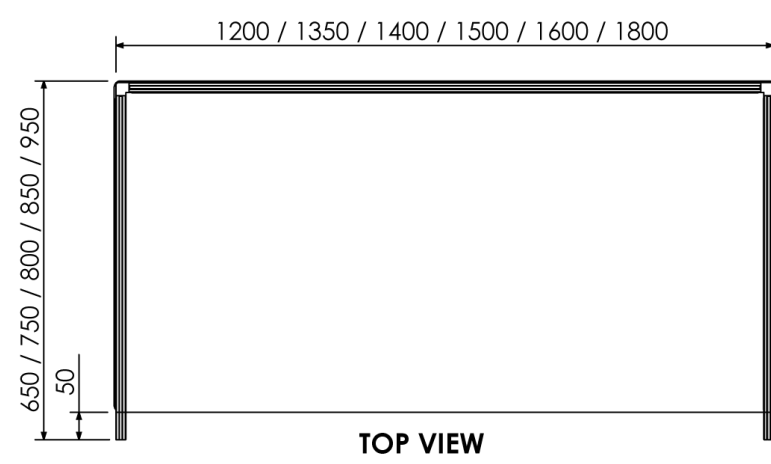
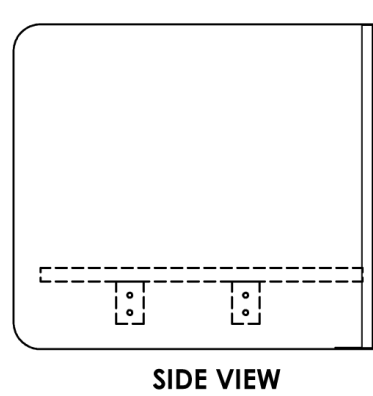
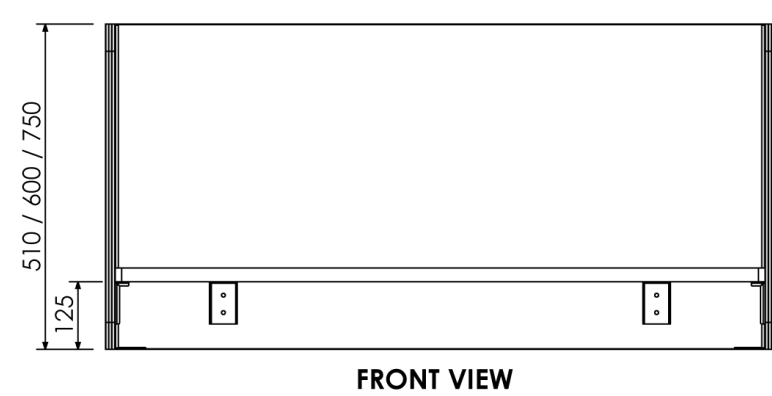
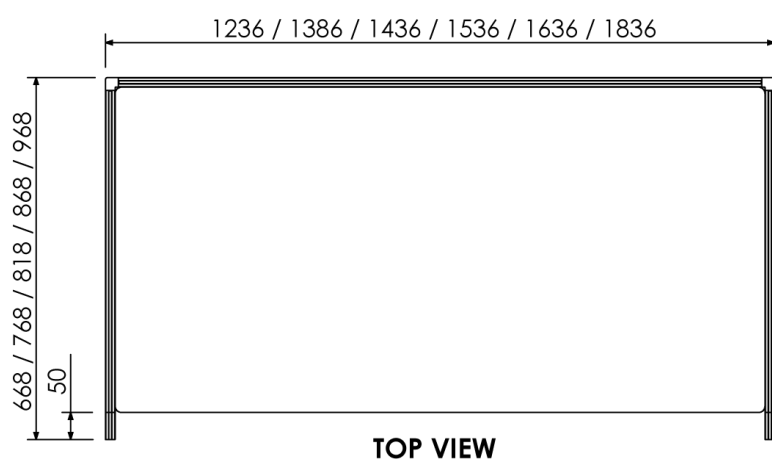
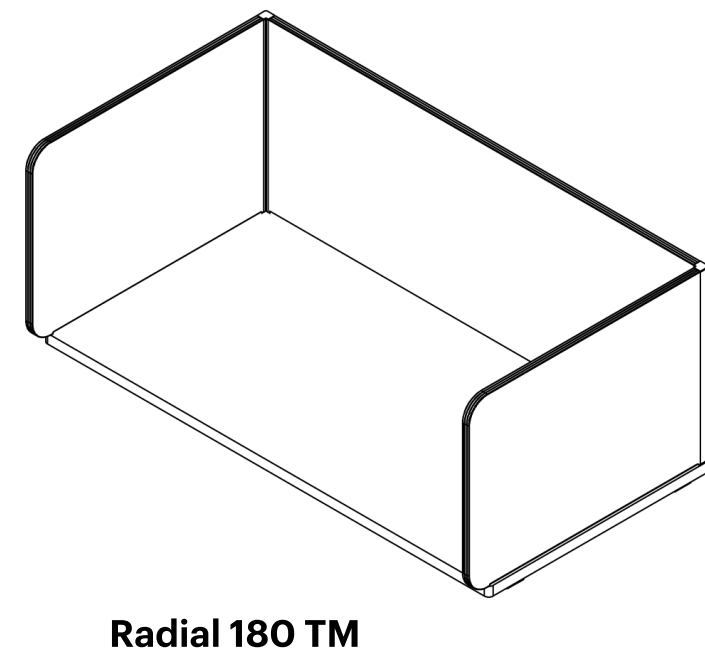
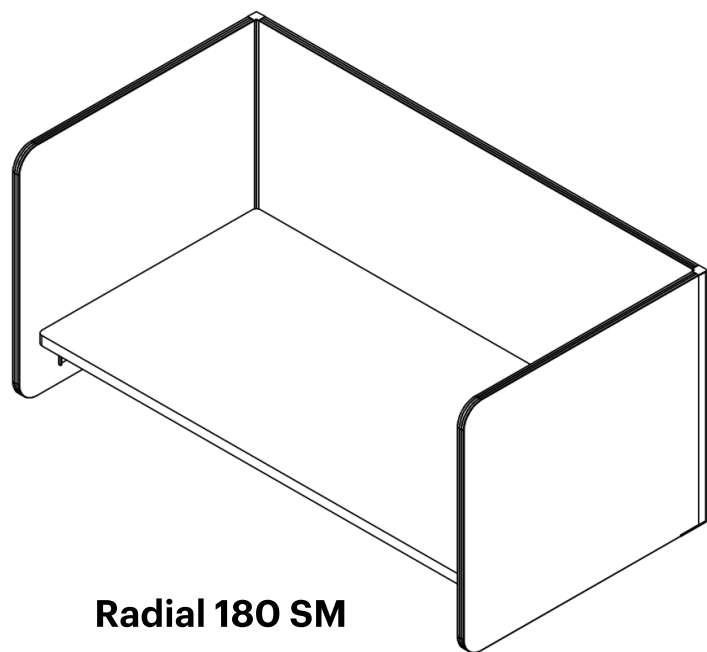
A | On Top : Radial 180 SM



B | Offset : Radial 180 TM



Statement of Line



SHIELD

POLYCARBONATE PANELS



bristol

SHIELD PANEL

Application | Height Adjustable Table



- 1 | SHIELD SIDEMOUNTED : PANEL C
- 2 | SHIELD FACE-TO-FACE: PANEL B
- 3 | VERTIGO 2.0 : CLUSTER OF 4
- 4 | SOUL CHAIR : 4-S1MM-S144-S114-T013-M



- 1 | SHIELD ADD-ON : PANEL G
- 2 | VERTIGO 2.0 : CLUSTER OF 4
- 3 | SOUL CHAIR : 4-S1MM-S144-S114-T013-M

SHIELD PANEL

Application | R2.4 / RX2 / R3.1



- 1 | SHIELD ADD-ON : PANEL G
- 2 | RX2 : 60MM PANEL
- 3 | SOUL CHAIR : 4-S1MM-S144-S114-T013-M

- 1 | SHIELD ADD-ON : PANEL G
- 2 | COMCON R3.1 : 35MM PANEL
- 3 | SOUL CHAIR : 4-S1MM-S144-S114-T013-M



- 1 | SHIELD ADD-ON: PANEL G
- 2 | COMCON R2.4 : 80MM PANEL
- 3 | SOUL CHAIR : 4-S1MM-S144-S114-T013-M

SHIELD PANEL

Application | Workstation on Existing Panel



- 1 | SHIELD ADD-ON : PANEL G
- 2 | ARTIV TABLE : 38MM LEG CLUSTER OF 2
- 3 | SOUL CHAIR : 4-S1MM-S144-S114-T013-M



- 1 | SHIELD ADD-ON: PANEL G
- 2 | SHIELD SIDEMOUNTED : PANEL C
- 3 | ARTIV TABLE : SQUARE LEG CLUSTER OF 4
- 4 | SOUL CHAIR : 4-S1MM-S144-S114-T013-M

SHIELD PANEL

Application | Workstation



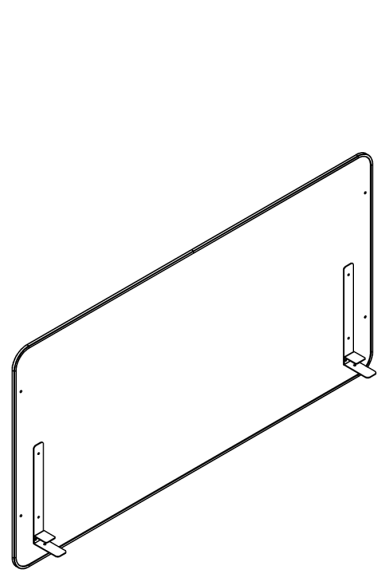
- 1 | SHIELD SIDEMOUNTED : PANEL C
- 2 | SHIELD INTERMEDIATE : PANEL D
- 3 | SHIELD FACE-TO-FACE : PANEL B
- 4 | SOUL CHAIR : 4-S1MM-S144-S114-T013-M



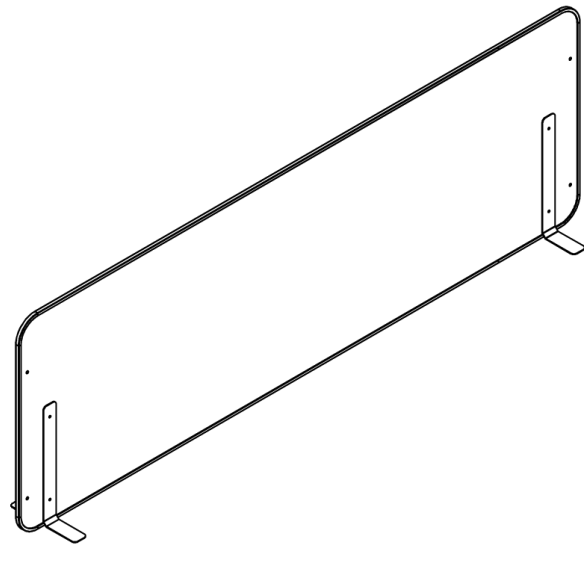
- 1 | SHIELD SIDEMOUNTED : PANEL A
- 2 | SHIELD FACE-TO-FACE : PANEL B
- 3 | SHIELD INTERMEDIATE : PANEL C
- 4 | SOUL CHAIR : 4-S1MM-S144-S114-T013-M

SHIELD PANEL

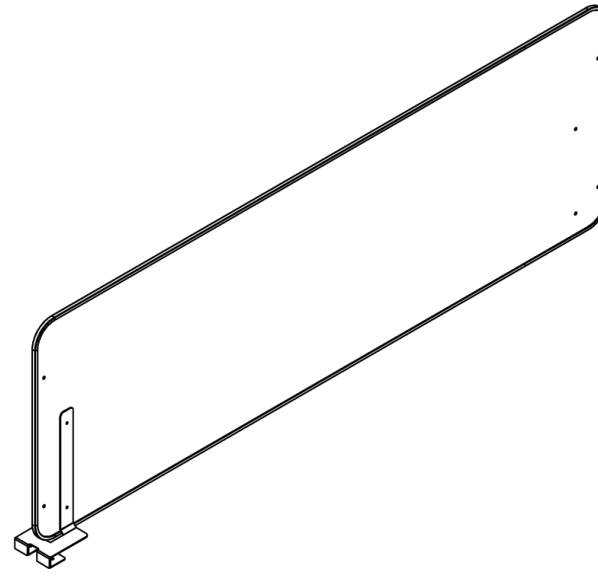
Statement of Line



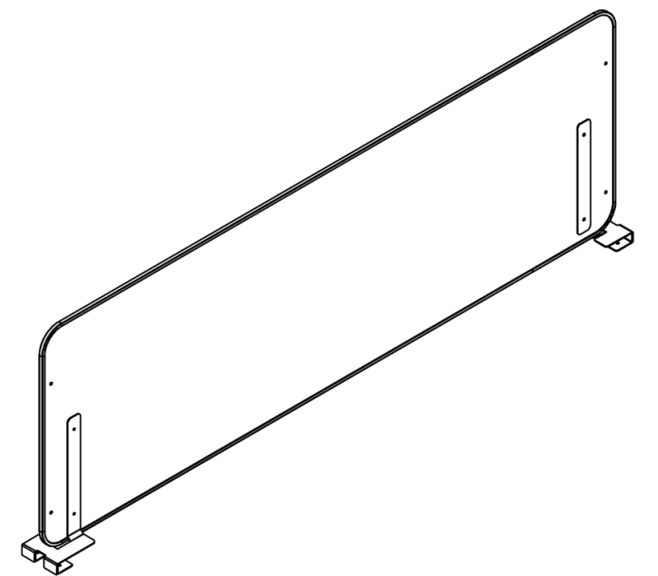
Panel A



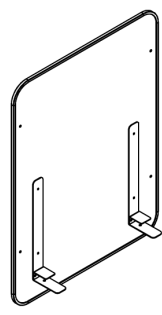
Panel B1



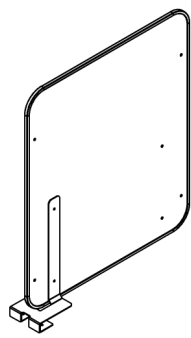
Panel B2



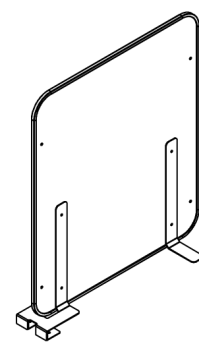
Panel B3



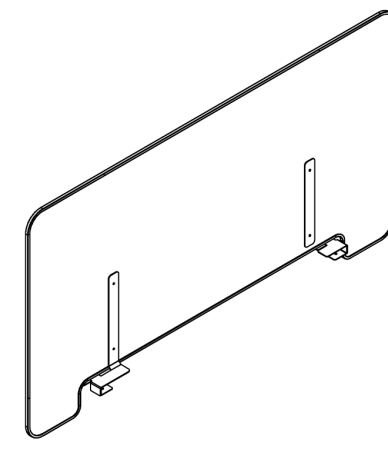
Panel C



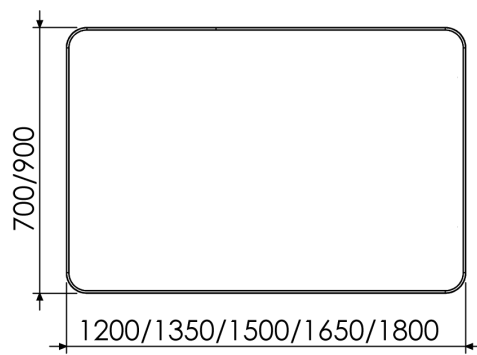
Panel D



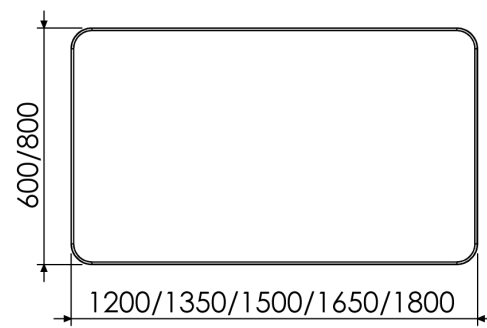
Panel D1



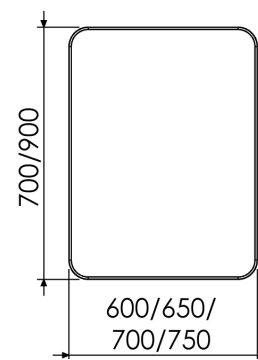
Panel E1



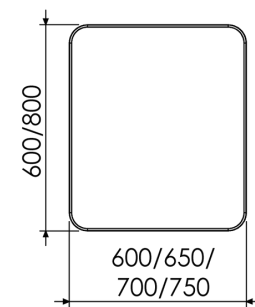
Type A



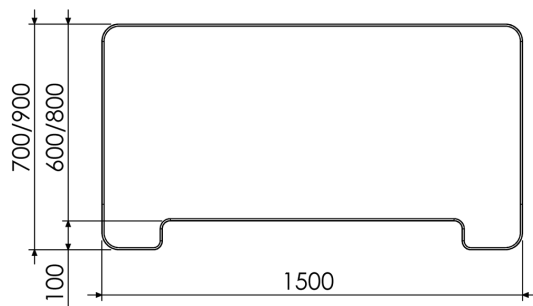
Type B



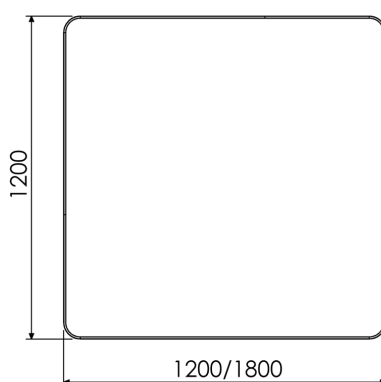
Type C



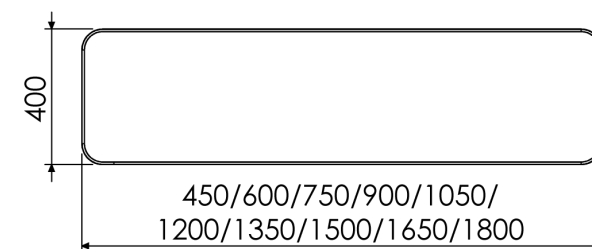
Type D



Type E



Type F



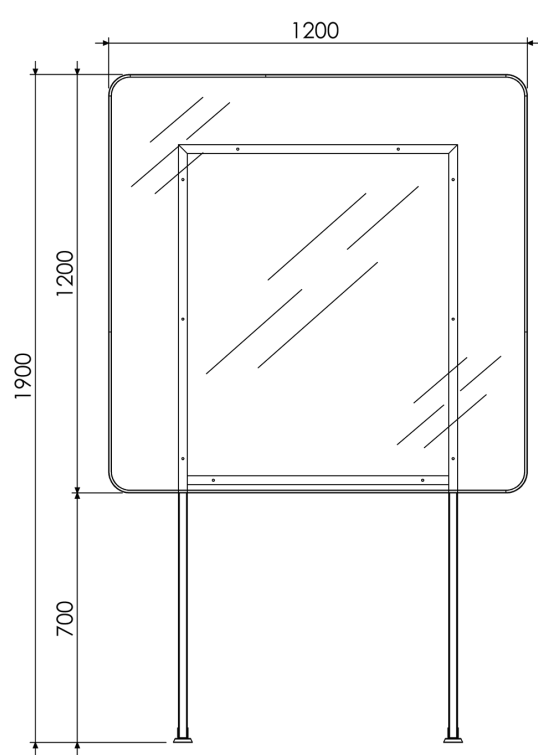
Type G

SHIELD STAND

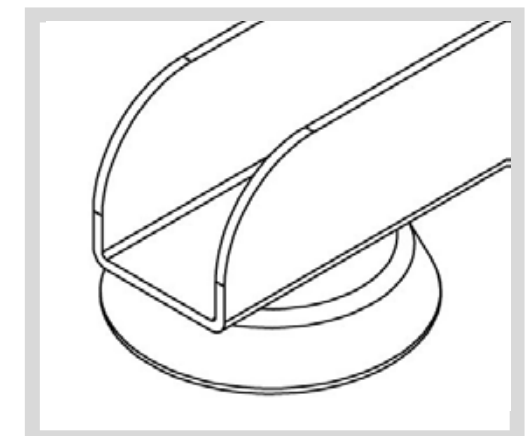
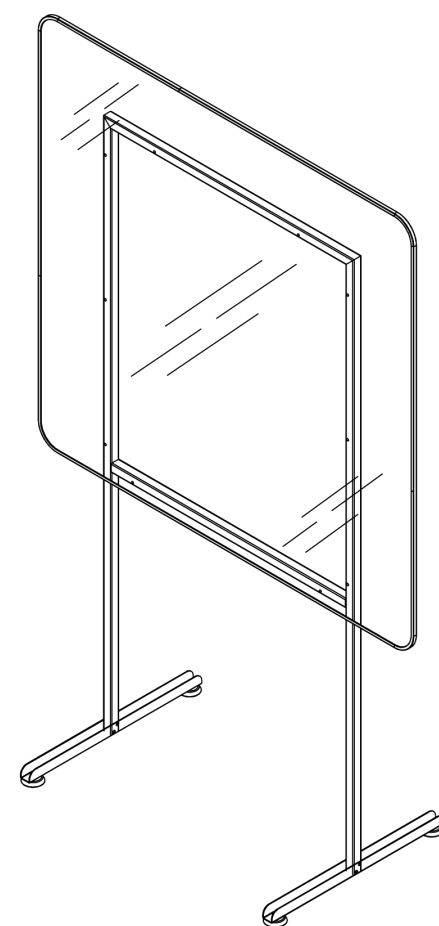
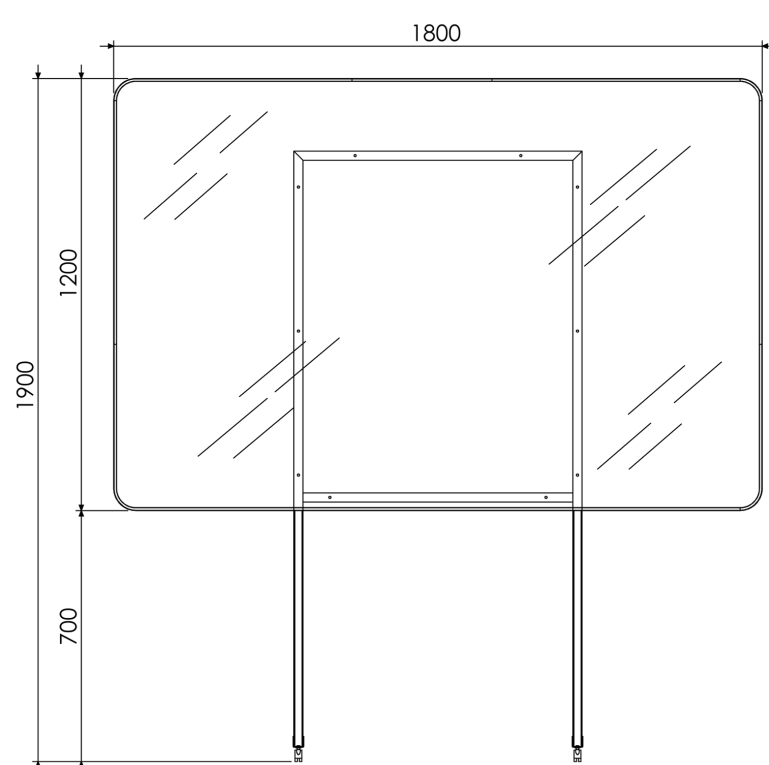
Application



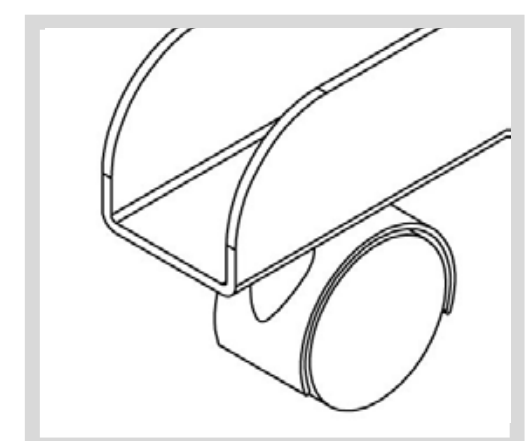
Statement of Line



Panel F



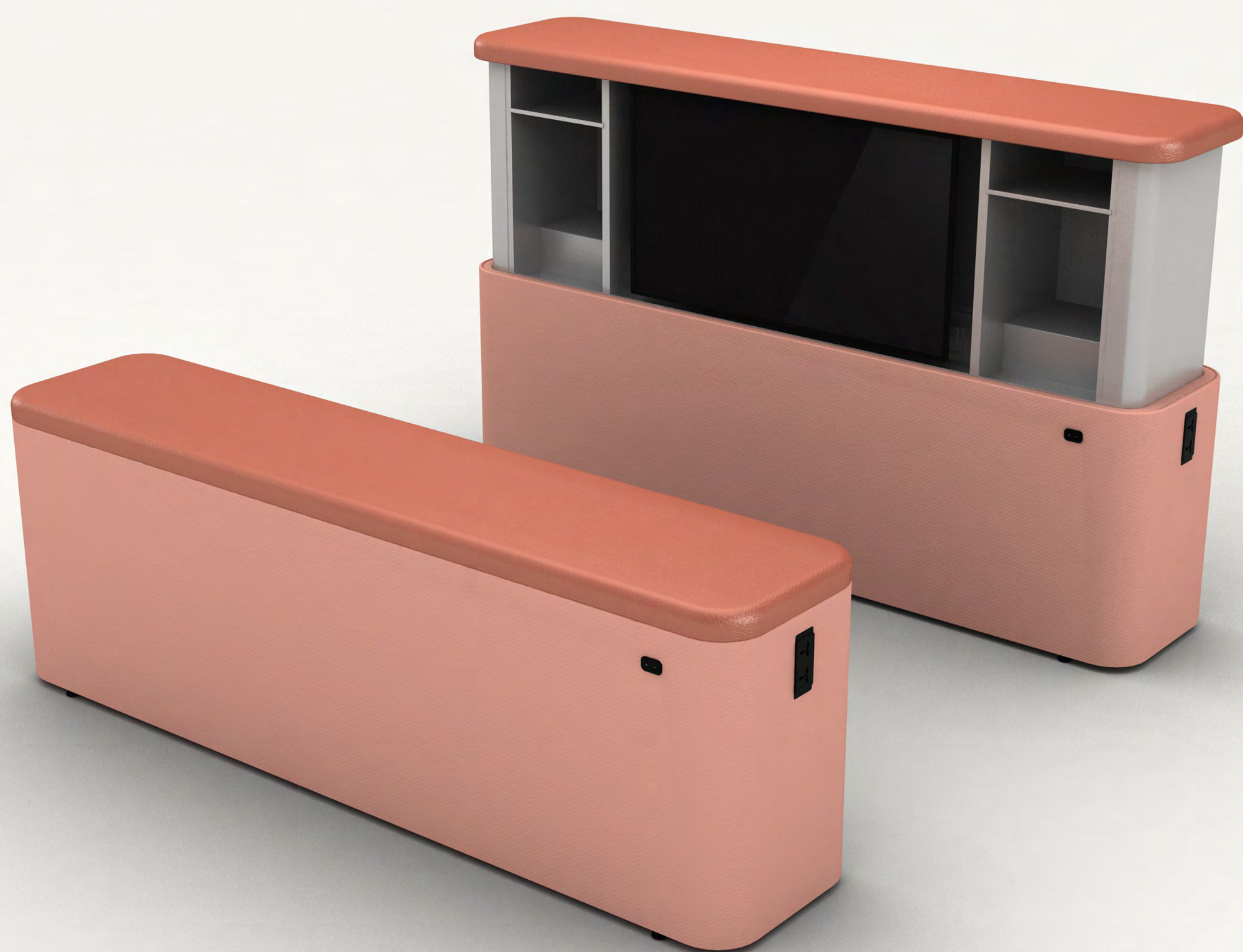
Stud



Castor

BRAVA

MEDIA BENCH



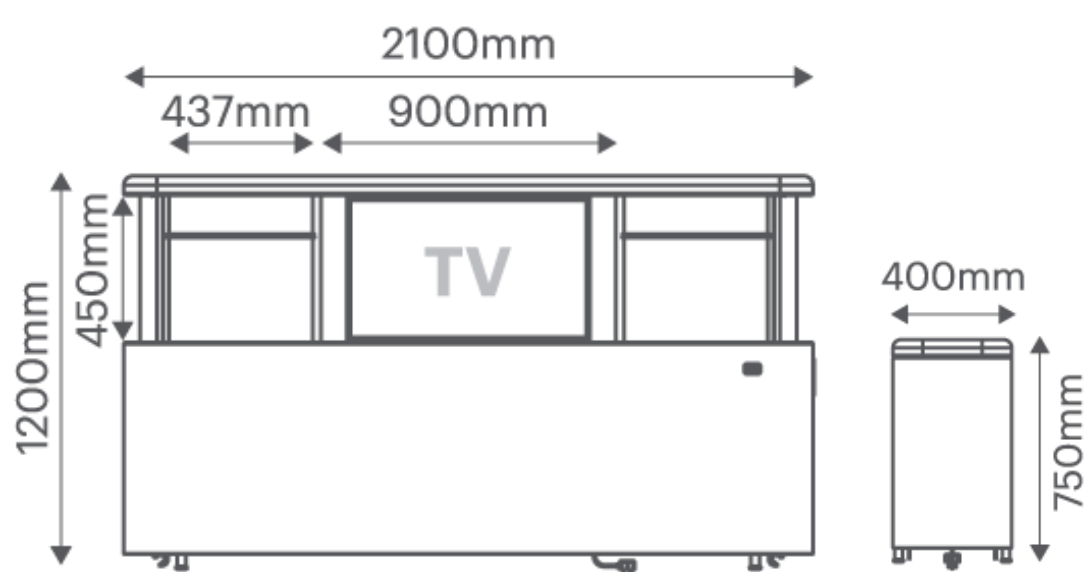
bristol

BRAVA

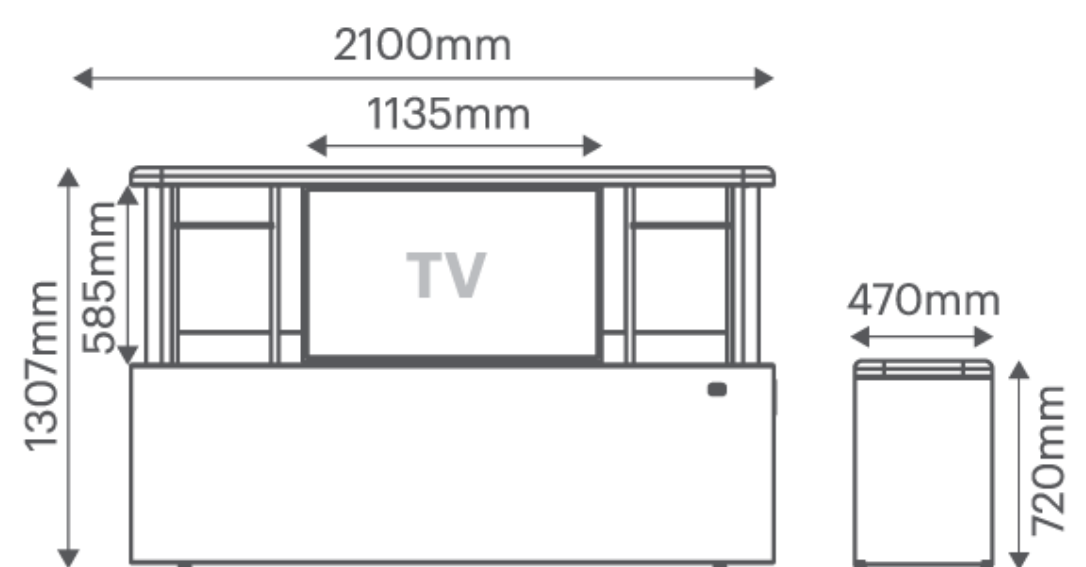
Application



Statement of Line



Brava 32



Brava 43

STANDARD FINISHES

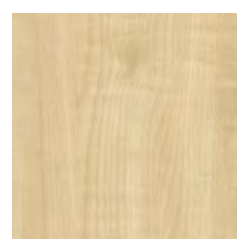
MFC



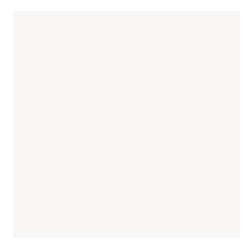
Beech
DCS B3205



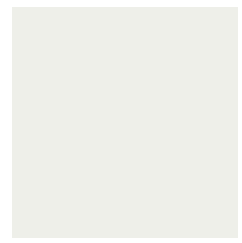
Cherry
7331



Ahorn Natur
712



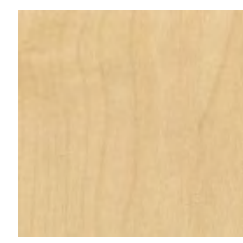
White
IP625



Light Grey
7238



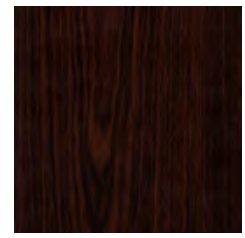
Ivory
7998



Murnau Maple
325



Manfredo
3016



Mahagony
7173



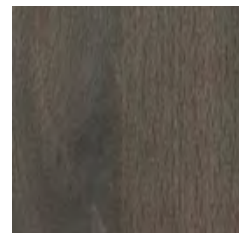
Celtic Ash
3595



Graphite
U200



Dark Walnut
7218



Macarius
3014



Elmo
8034



Zebra wood -B
7539B



Morwen Oak
3013

HPL



Amber Maple
7012



Bamboo
Stripe
9797



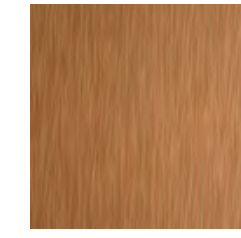
Blondbrush
Wood
5475



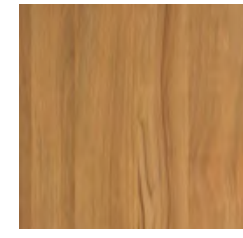
Café
Oak
5476



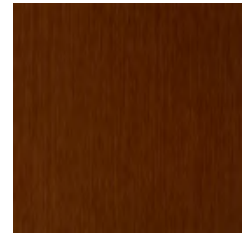
Canadian Pine
6006



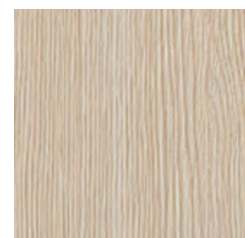
Cherry Strand
6213



Classic Walnut
5486



Cherry
Woodcut
6928



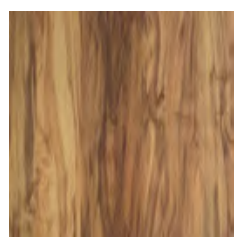
Colorado Oak
9010



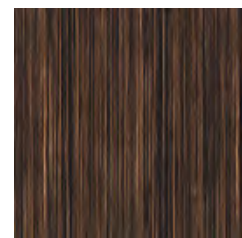
Copper Beech
2567



Dune Wood 7182



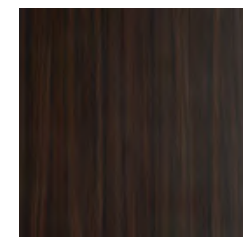
Couture Wood
6210



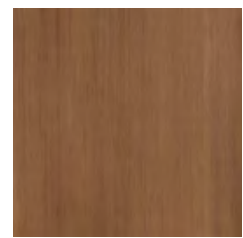
Ebano
9012



Ebony Oak
5477



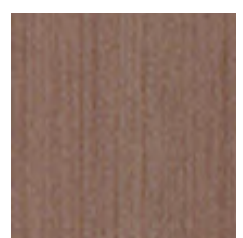
Espresso Pear
5489



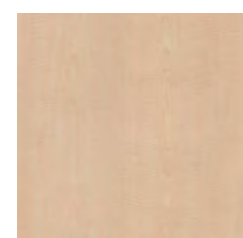
Fancy Pine
6003



Fineline
9005



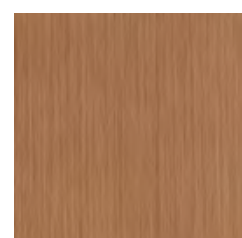
Fineline
Chocolate
9006



French Sycamore
1143



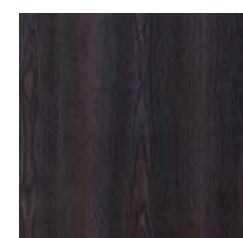
Hill Top Maple
9966



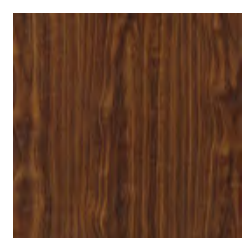
Legno Fineline
Brown
9205



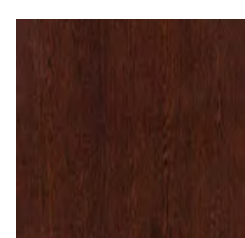
Light Oak
3737



Limed Ash
9203



Lincoln Walnut
7188



Mali Wenge
9578



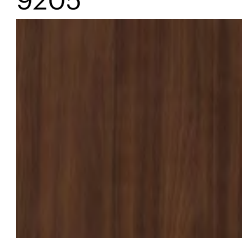
Mocca Firwood
5483



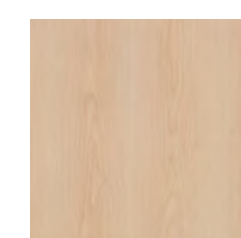
Natural Beech
2726



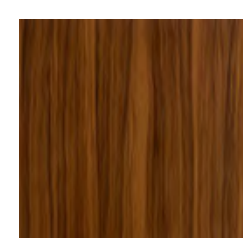
Natural Cane
6930



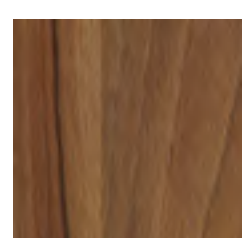
Noce Orvieto
9001



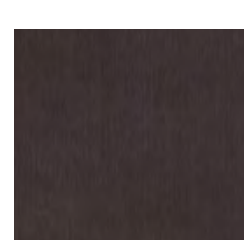
Natural Maple
7566



Oiled Olivewood
5481



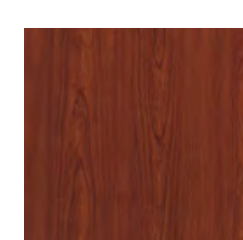
Oiled Walnut
5487



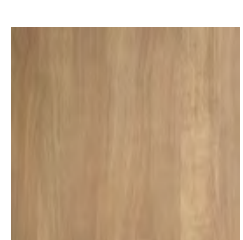
Punga Punga
Wood
1614



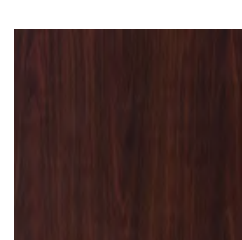
Rattan Cane
3699



Select Cherry
7759



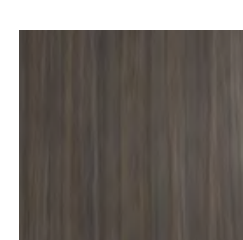
Sand Oak
5478



Silent Walnut
5997



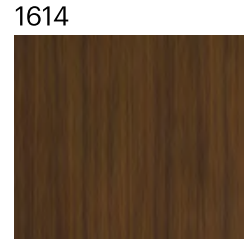
Silverbrush Wood
5474



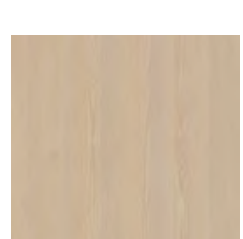
Smoky Brown Pear
5488



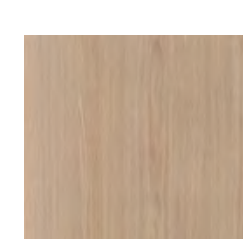
Spice Maple
5485



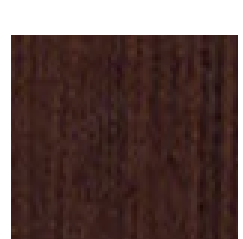
Teak Allover
PT116



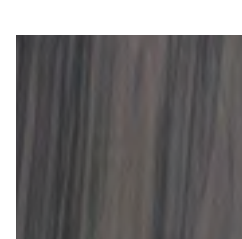
RTassili
7395



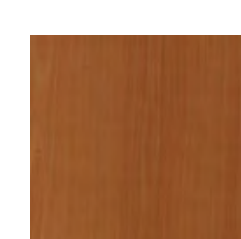
Vicuna Graceful Oak
0369



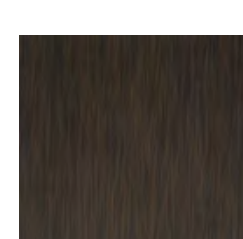
Vintage Teak
9394



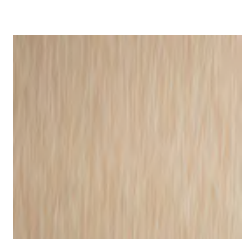
Vogue Wood
6308



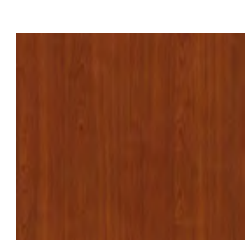
Vosges Pear New
1150



Wenge Strand
6306



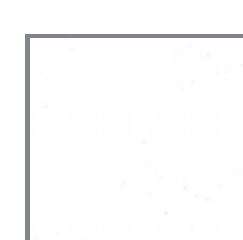
Wheat Strand
6212



Wild Cherry
5904



Zebrano
9011



White
7949UN

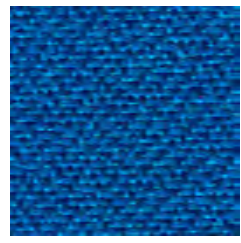


Folkstone
0927UN

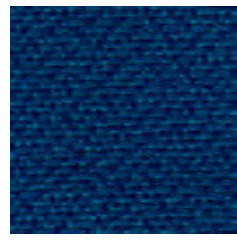


Black
0909UN

NEW ICON



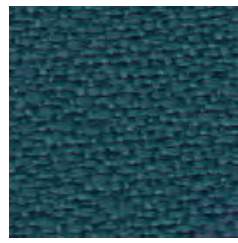
Palace Blue
LA001



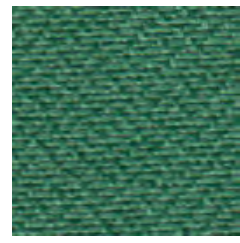
True Blue
LA002



Indigo
LA003



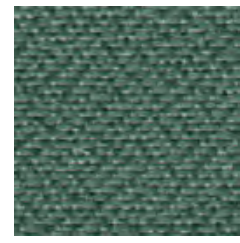
Shaded Blue
LA004



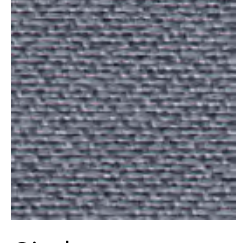
Porcelain
LA005



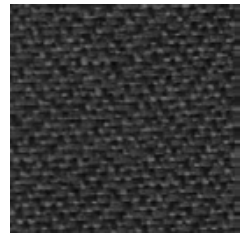
Black
LA007



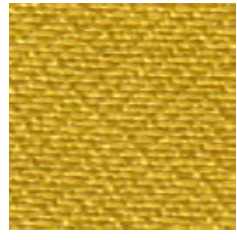
Slate Grey
LA008



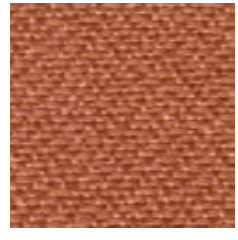
Cinder
LA009



Phantom
LA010



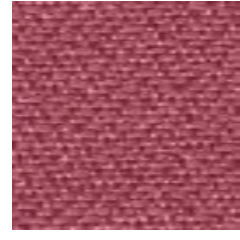
Ceylon Yellow
LA011



Ginger Spice
LA012



Ruby Wine
LA013



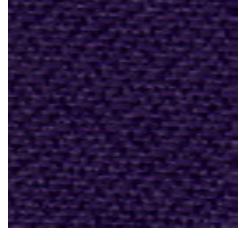
Desert Rose
LA014



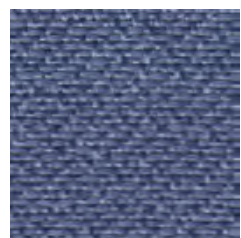
Flame
LA014



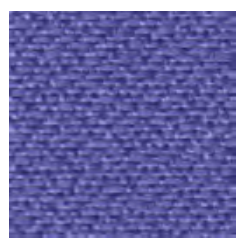
Crimson
LA015



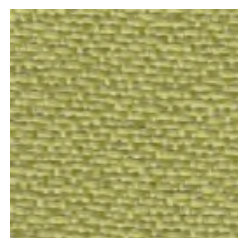
Purple
LA016



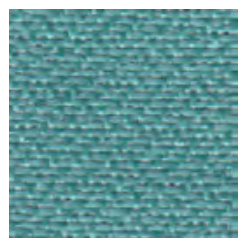
Denim
LA018



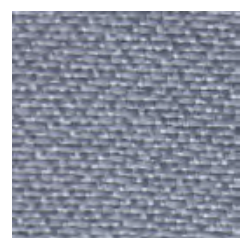
Violet Storm
LA019



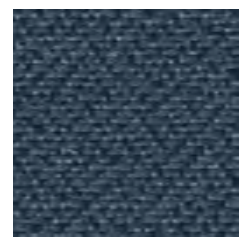
Lemon
LA021



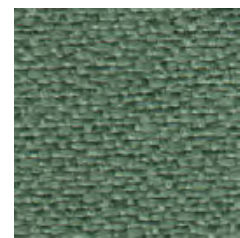
Aqua
LA022



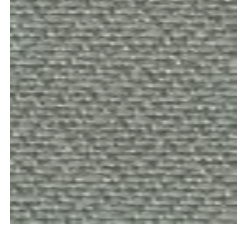
Steel
LA023



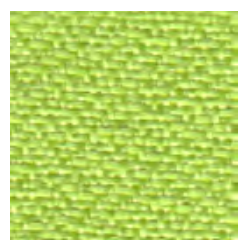
Rain Cloud
LA024



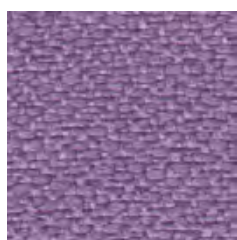
Frosty Spruce
LA025



Ash
LA026



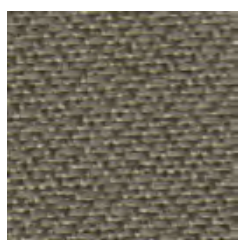
Apple Green
LA027



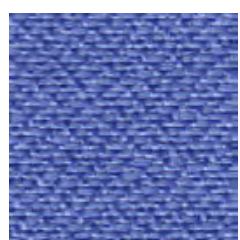
Amethyst
LA028



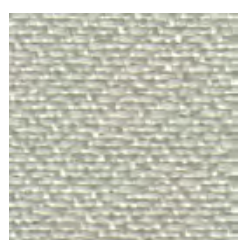
Rum
LA086



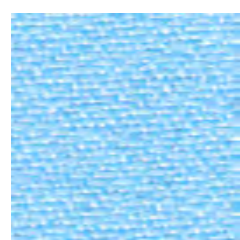
Pewter
LA094



Bluebell
LA097



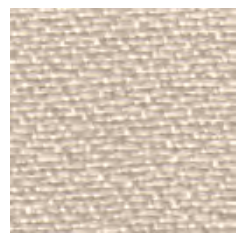
Turtle
LA098



Arecibo
LA099



Bright Orange
LA121



Sea Shell
LA171



BristolGreen
LA333

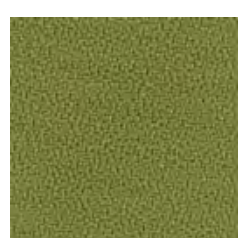
INSPIRE



Romano
P145-07



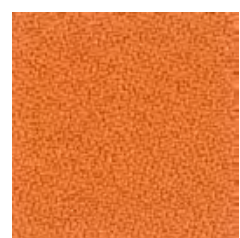
Lemon
P151-08



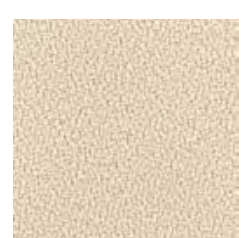
Ocha
P115-14



Sand
P127-43



Dago Orange
P181-34



Pearl
P187-48



Ivory
P185-10



Acorn
P128-44



Magenta
P156-27



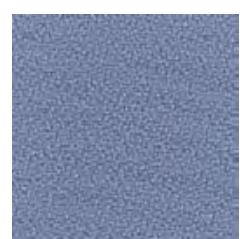
Clouds
P188-04



Mlnk
P122-01



Granada
P126-05



Dolphin
P161-23



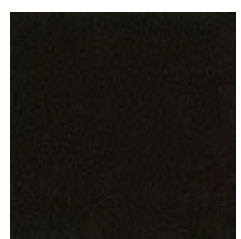
Spearmint
P102-19



Amarillo
P112-21

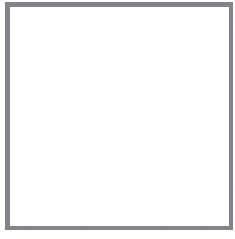


Caffe
155-52

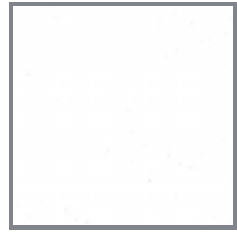


Black
P137-03

EPOXY



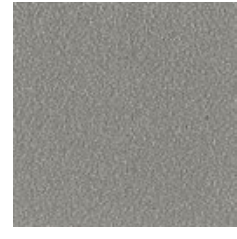
White Gloss
WG022



WhiteSand
WS333



Silver Smooth
SS238



Silver Matt
SM306



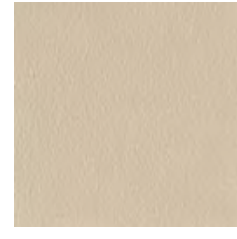
Graphite Sand
GP394



Champagne
Gold
CH109



Black Sand
BL303



Beige Sand
BS314

POLYCARBONATE



MATERIALS

GUIDELINES

The care and maintenance of your furniture is important in extending the lifespan of the furniture while also keeping good hygiene. To maintain the finish quality of your Bristol product, please follow the cleaning procedures provided below.

When using any cleaning agent, we recommend that a small, inconspicuous area be pre-tested for colorfastness before cleaning the stain. We advise you to contact a professional furniture cleaning service for cleaning recommendations for large-scale stain or disinfection.

The instructions for the care and maintenance of Bristol products are provided to you as a service.

Care Guidelines



bristol

HEALTH & SAFETY

OPERATIONAL GUIDELINES

At Bristol, we adopt an integrated approach to our health and safety guidelines. We focus on these key areas at our production facility, workplace and follow strict protocol when we are on-site for our clients.

If you suspect anyone that has come into contact with us who could be a health risk, please contact us immediately.

Gate Management

Transportation screening
Mandatory non-contact body temperature scanning.
Supporting government in digital monitoring using Selangkah.

Material Management

Inward of imported material only after sanitation / cool off period

Disinfection & Sanitisation

Regular sanitisation of common/large areas
Use of sanitizer dispenser

Prevention & Awareness

Masks for employees
Awareness through trainings, posters, pep talks and reminders

Vigilance

Additional deployment of safety resources and supervisors for monitoring through COVID-19 Task force

Social Distancing

Working with not more than 50% manpower
Markings at all crowd gathering places to facilitate social distancing

BRISTOL

LOCATIONS

MALAYSIA

Kuala Lumpur
Penang
sales@bristol.com.my

INDIA

Bangalore
New Delhi (Gurgaon)
Hyderabad
Mumbai
Pune
Chennai
sales@bristolindia.com

INDONESIA

Jakarta
indonesia@bristol.com.my

THAILAND

Bangkok
sales@bristol.co.th

SINGAPORE

Singapore
sales@bristol.co.sg

INDONESIA

Jakarta
indonesia@bristol.com.my

VIETNAM

Ho Chi Minh
vietnam@bristol.com.my

Locations



bristol

BRISTOL

GET IN TOUCH

For corporate or contract projects, export or bulk enquiries, please contact our sales representatives in your country.

For customer service or general enquiries, please contact cs@bristol.com.my or Whatsapp us on our Bristol Customer Service Hotline at +6012-6239292

STAY SAFE
STAY HEALTHY

www.bristol.com.my

[Enquiry Form](#)



bristol